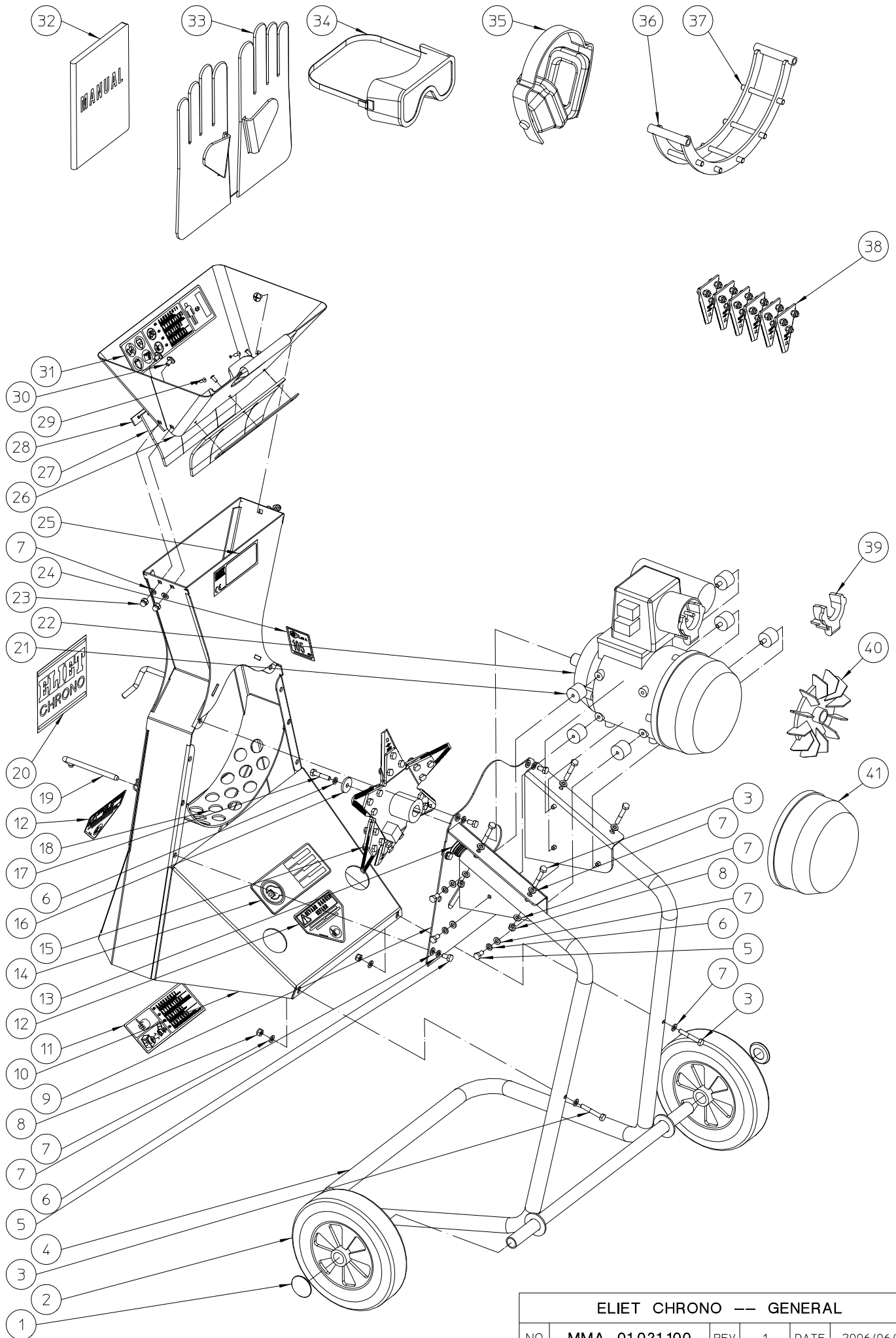


ELIET SPARE PARTS MANUAL

CHRONO

GENERAL OVERVIEW ASSEMBLYLISTS

	LIST NUMBER	DESCRIPTION	DRAWING NR.	BUILT AFTER
1	ASSEMBLYLIST 1	MACHINE ASSEMBLY	MMA 01 021 100-1	01/02/2006



ELIET CHRONO -- GENERAL

NO	MMA-01.021.100	REV	1	DATE	2006/06/15
----	----------------	-----	---	------	------------

ELIET SPARE PARTS MANUAL

CHRONO

ASSEMBLYLIST 1

MACHINE ASSEMBLY

MMA 01 021 100-1

ITEM	PART NUMBER	DESCRIPTION	QUANTITY
1	BB 011 000 200	STARLOCK 20MM	2
2	BW 120 020 001	WHEEL 200X50	2
3	BS 511 000 640	BOLT M6X40 DIN 931	6
4	MPA 01 021 050	FOOT	1
5	BS 512 000 612	BOLT M6X12 DIN 933	12
6	BS 534 000 600	LOCK WASHER M6 DIN 6798A	13
7	BS 531 000 600	WASHER M6 DIN 125	27
8	BS 502 000 600	SELF LOCKING NUT M6 DIN 985	6
9	MPA 01 021 020	DRIVING SUPPORT	1
10	MPA 01 021 010	CHASSIS	1
11	BQ 505 010 310	SAFETY STICKER 160X60 (ROTOR)	1
12	BQ 505 010 070	SAFETY STICKER 100X80 (HANDCUTS)	2
13	BR 020 501 250	TUBE CAP Ø 25MM	2
14	BQ 505 010 160	SAFETY STICKER BOLTS CONTROL	1
15	MPA 01 021 080	ROTOR	1
16	BS 532 006 276	WASHER M6X27X3	1
17	BS 511 000 630	BOLT M6X30 DIN 931	1
18	MPA 01 021 040	STANDARD GRATING	1
19	MPA 01 021 070	LOCKING ROD	2
20	BQ 501 020 300	STICKER ELIET CHRONO	1
21	BR 600 225 201	ANTIVIBRATION BLOCKS 25X20B M6X10	6
22	BM 101 003 003	ELECTRIC MOTOR 2100 WATT	1
23	BS 505 500 600	NUT M6 DIN 1587	3
24	BQ 505 112 105	STICKER SOUND LEVEL	1
25	BQ 505 010 010	IDENTITY STICKER CE 120X30	1
26	MPA 01 021 030	HOPPER	1
27	BR 900 001 310	RUBBER ANTI PROJECTION FLAP	2
28	MPA 01 021 060	RETAINER FOR RUBBER ANTI PROJECTION FLAP	2
29	BB 221 004 100	POP PLUG STEEL 3.9X10	6
30	BS 544 100 610	MUSHROOM HEAD SCREW M6X10	3
31	BQ 505 010 300	SAFETY STICKER 220X60 (INFEED)	1
32	BZ 201 021 010	MANUAL	1
33	BQ 710 050 000	GLOVES	1
34	BQ 720 050 000	GOGGLES	1
35	BQ 700 050 000	HEARING PROTECTORS	1
36	MA 001 001 031	GRATING FOR WET MATERIAL	1
37	MPA 01 230 120	ROD FOR GRATING	5
38	BU 401 100 201	SET OF KNIVES	1

ELIET SPARE PARTS MANUAL

CHRONO

ASSEMBLYLIST 1

MACHINE ASSEMBLY

MMA 01 021 100-1

ITEM	PART NUMBER	DESCRIPTION	QUANTITY
39	BM 160 100 700	PLUG CLAMP	1
40	BM 160 100 200	COOLER FAN	1
41	BM 160 100 100	BLACK PLASTIC MOTOR COVER	1