

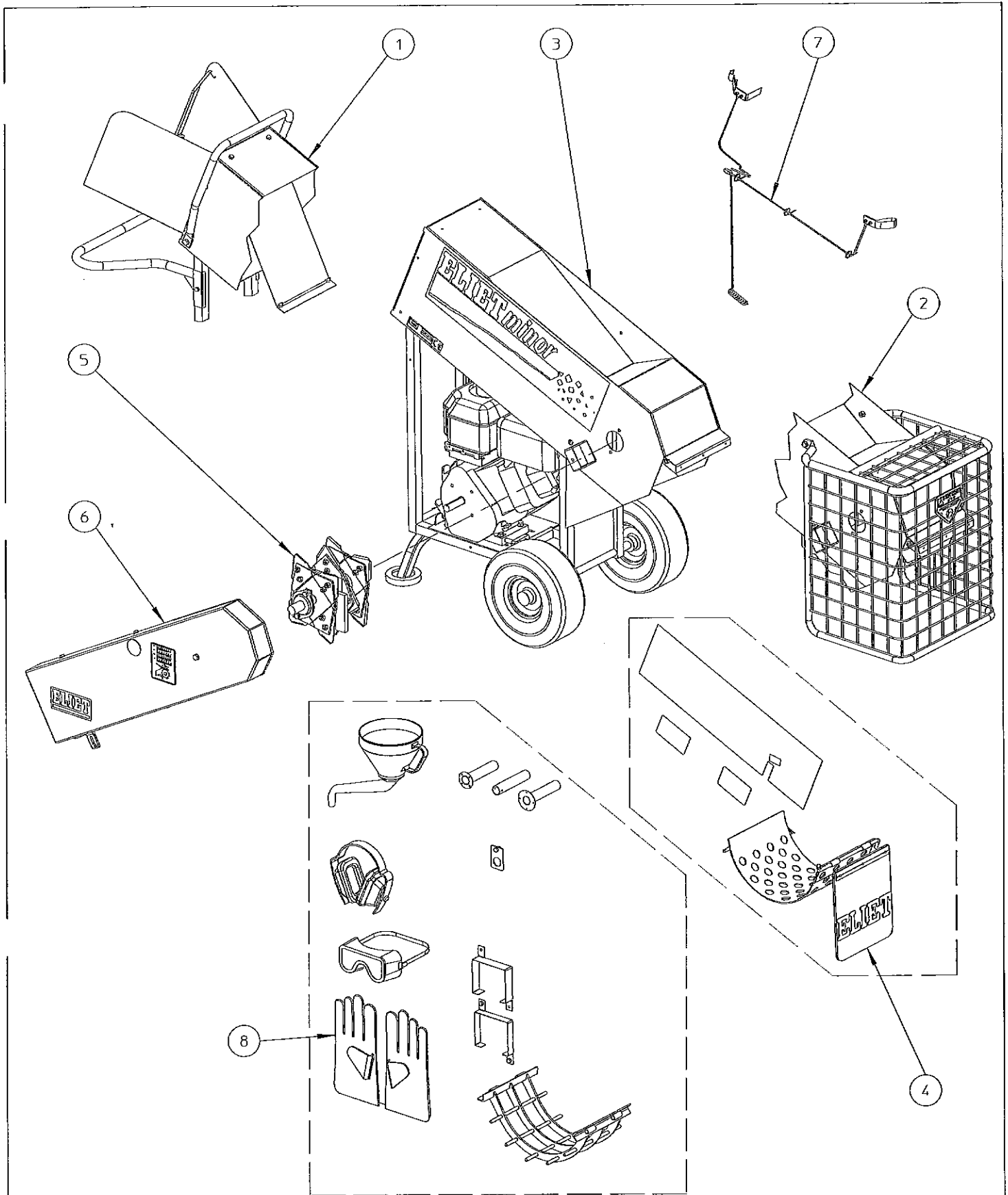
ELIET SPARE PARTS MANUAL

MINOR

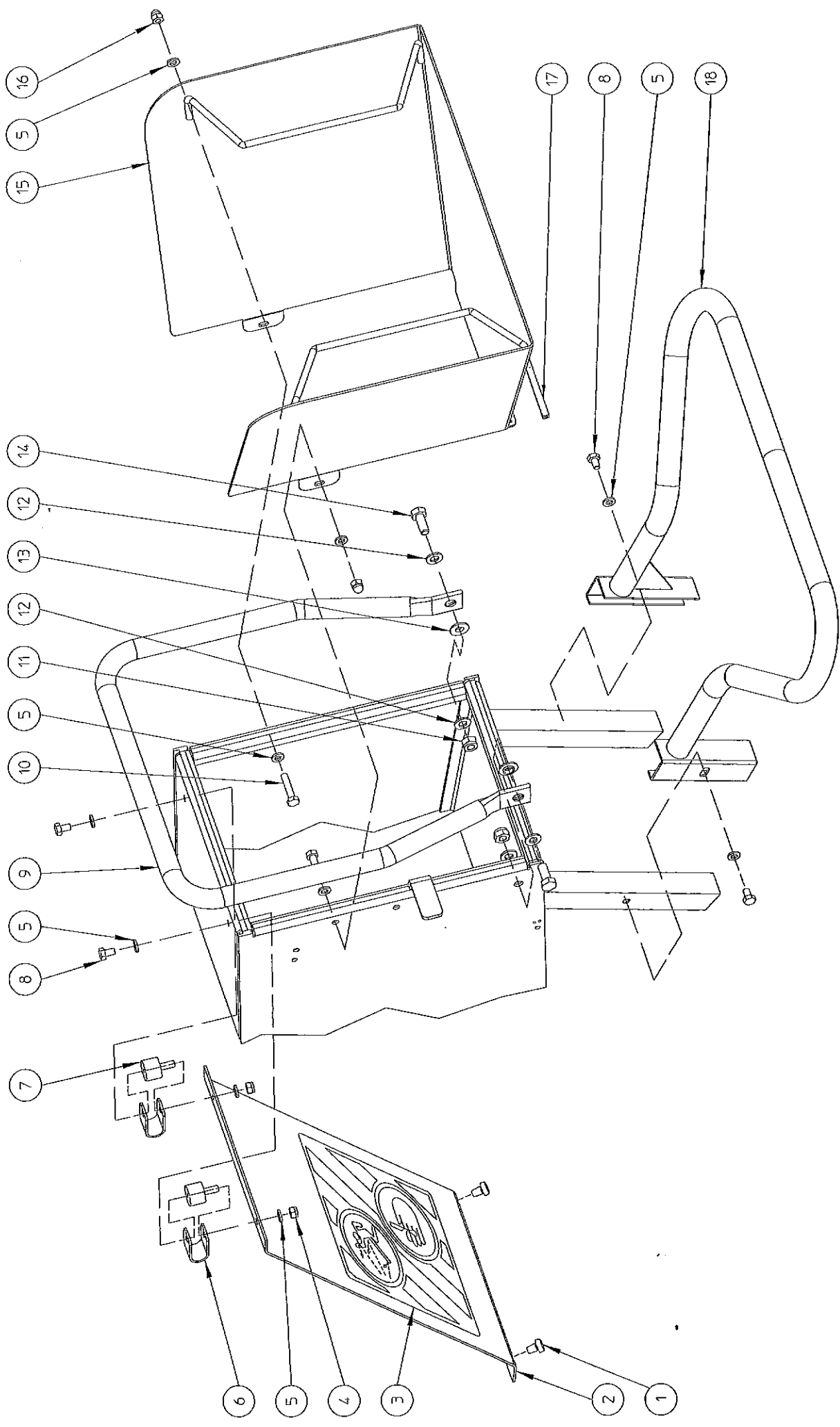
GENERAL OVERVIEW ASSEMBLYLISTS

MMA 01 030 100-1

	LIST NUMBER	DESCRIPTION	DRAWING NR.	BUILT AFTER
1	ASSEMBLYLIST 1	MACHINE FRONT SIDE	MMA 01 030 110-1	1/01/1995
2	ASSEMBLYLIST 2	SAFETY GUARD	MMA 01 030 120-1	1/01/1995
3	ASSEMBLYLIST 3	CHASSIS	MMA 01 030 130-1	1/01/1995
4	ASSEMBLYLIST 4	MACHINE REAR SIDE	MMA 01 030 140-1	1/01/1995
5	ASSEMBLYLIST 5	ROTOR	MMA 01 030 150-1	1/01/1995
6	ASSEMBLYLIST 6	TRANSMISSION	MMA 01 030 160-1	1/01/1995
7	ASSEMBLYLIST 7	ELECTRICAL SYSTEM	MMA 01 030 170-1	1/01/1995
8	ASSEMBLYLIST 8	ACCESSORIES	MMA 01 030 180-1	1/01/1995



ELIET MINOR -- GENERAL				
NO	MMA-01.030.100	REV	1	DATE 2004/01/19



ELIET MINOR -- MACHINE FRONT SIDE

NO	MMA-01.030.110	REV	1	C	2004/07/05
----	----------------	-----	---	---	------------

ELIET SPARE PARTS MANUAL

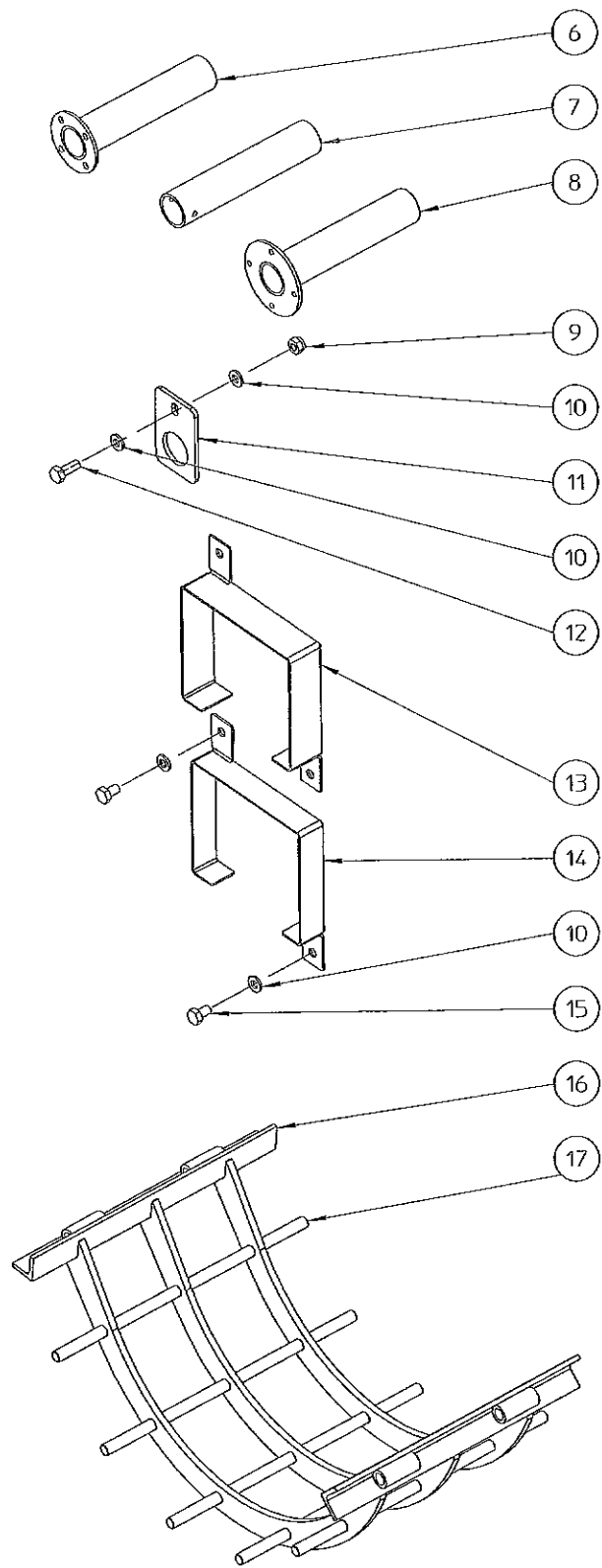
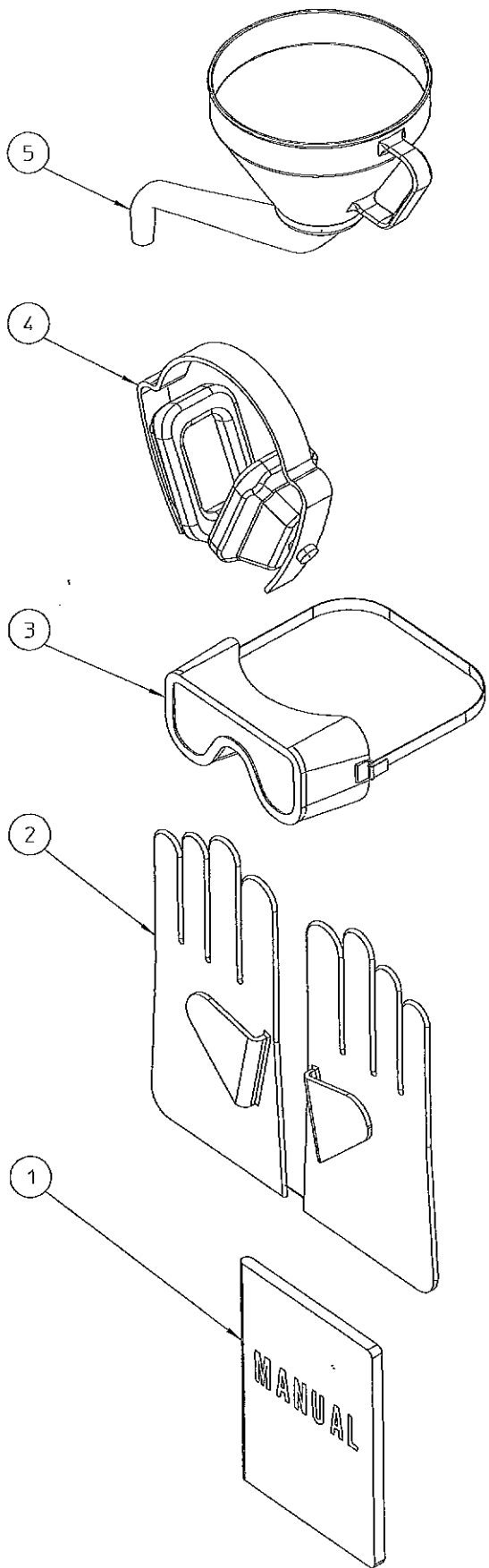
MINOR

ASSEMBLYLIST 7

ELECTRICAL SYSTEM

MMA 01 030 170-1

ITEM	PART NUMBER	DESCRIPTION	QUANTITY
1	BE 090 231 301	RED WIRE 1.5 CE 130	1
2	BE 031 034 201	BLUE WIRE CONNECTOR 2.5MM	1
3	BE 043 010 100	WRAP TIE 100X2.5	3
4	BE 090 230 561	RED WIRE 1.5 CE 56	1
5	BS 512 000 416	BOLT M4X16 DIN 933	4
6	BS 531 000 400	WASHER M4 DIN 125	8
7	BR 112 060 300	NYLON BUSHING WITH COLAR (4.2/5.9/10x3/1.3)	4
8	BV 901 000 040	REAR SAFETY SWITCH (EARTH) PART 1	1
9	BR 737 010 010	ISOLATING PLATE PVC 36X23X2	2
10	BV 901 000 050	REAR SAFETY SWITCH (EARTH) PART 2	1
11	BS 502 000 400	SELF LOCKING NUT M4 DIN 985	4
12	BV 901 000 020	FRONT SAFETY SWITCH (HANDLE) PART 1	1
13	BV 901 000 030	FRONT SAFETY SWITCH (HANDLE) PART 2	1



ELIET MINOR -- ACCESSORIES					
NO	MMA-01.030.180	REV	1	DATE	2003/10/14

ELIET SPARE PARTS MANUAL

MINOR

ASSEMBLYLIST 8

ACCESSORIES

MMA 01 030 180-1

ITEM	PART NUMBER	DESCRIPTION	QUANTITY
1	BZ 201 030 010	MANUAL	1
2	BQ 710 050 000	GLOVES	1
3	BQ 720 050 000	GOGGLES	1
4	BQ 700 050 000	HEARING PROTECTORS	1
5	BG 900 010 502	FUNNEL	1
6	MPA 01 010 130	MUFFLER PIPE 6.0 HP VANGUARD	1
7	MPA 01 010 120	MUFFLER PIPE 6.5 HP B&S INTEK PRO	1
8	MPA 01 010 070	MUFFLER PIPE 5.5 HP HONDA GX 160	1
9	BS 502 000 600	SELF LOCKING NUT M6 DIN 985	1
10	BS 531 000 600	WASHER M6 DIN 125	4
11	MPA 01 010 050	BRACE FOR MUFFLER PIPE	1
12	BS 512 000 616	BOLT M6X16 DIN 933	1
13	MPA 01 010 160	CRANKSHAFT GUARD 27MM	1
14	MPA 01 010 150	CRANKSHAFT GUARD 20MM	1
15	BS 512 000 610	BOLT M6X10 DIN 933	2
16	MPA 01 030 550	GRATING FOR WET MATERIAL	1
17	MPA 01 030 560	ROD FOR GRATING	5

ELIET SPARE PARTS MANUAL

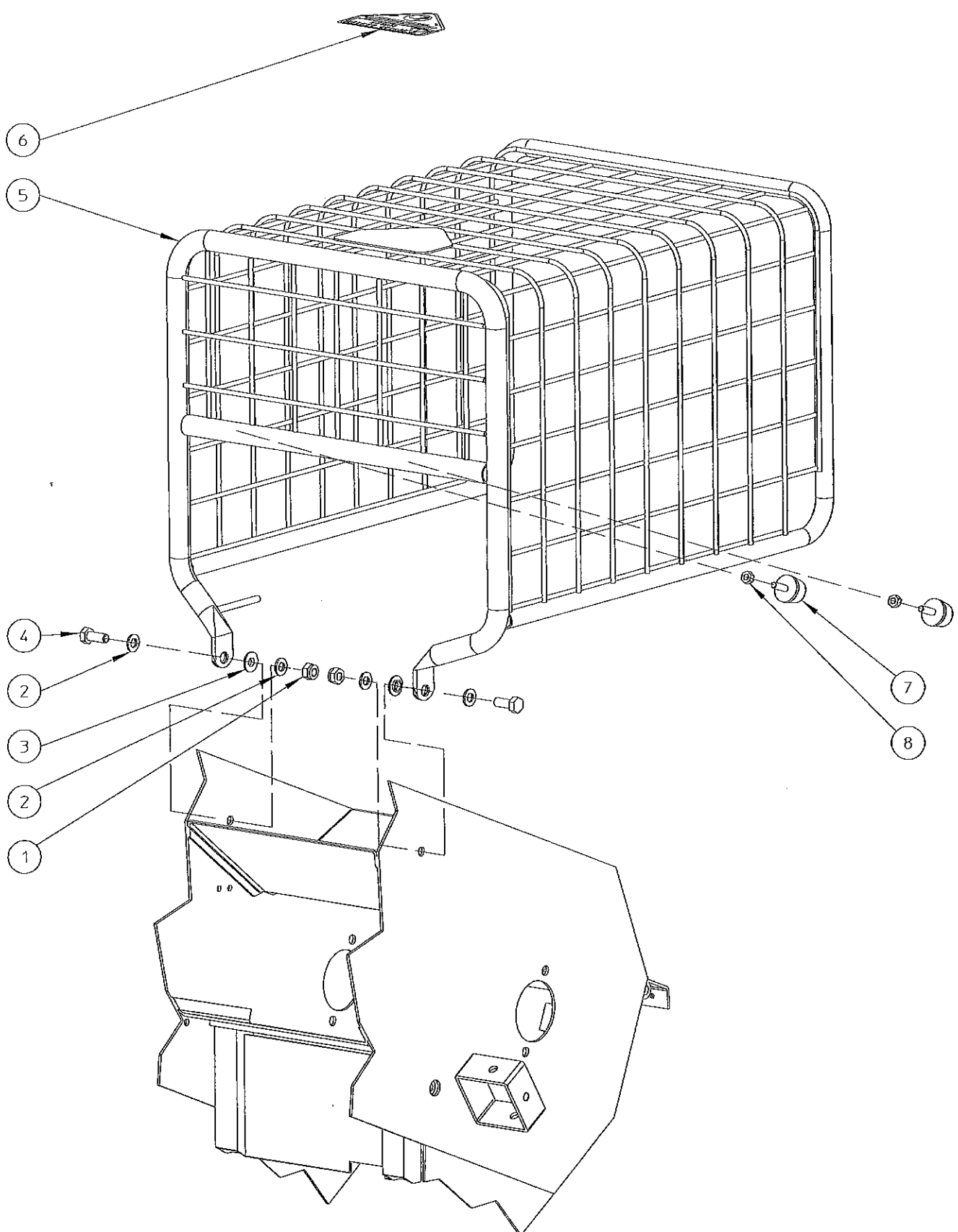
MINOR

ASSEMBLYLIST 1

MACHINE FRONT SIDE

MMA 01 030 110-1

ITEM	PART NUMBER	DESCRIPTION	QUANTITY
1	BR 602 006 151	RUBBER BUMPER	2
2	MPA 01 030 060	ANTI PROJECTION SHIELD	1
3	BQ 505 010 080	SAFETY STICKER 200X175	1
4	BS 502 000 600	SELF LOCKING NUT M6 DIN 985	2
5	BS 531 000 600	WASHER M6 DIN 125	10
6	BR 910 000 020	RETAINER ERTALON 80X20X2	2
7	BR 600 220 150	ANTIVIBRATION BLOCKS 20X15B M6X15	2
8	BS 512 000 610	BOLT M6X10 DIN 933	4
9	MPA 01 030 030	SAFETY HANDLE	1
10	BS 512 000 630	BOLT M6X30 DIN 933	2
11	BS 502 000 800	SELF LOCKING NUT M8 DIN 985	2
12	BS 531 000 800	WASHER M8 DIN 125	4
13	BR 112 080 300	NYLON BUSHING WITH COLAR (8.2/10.9/18x3.5/1.5)	2
14	BS 512 000 820	BOLT M8X20 DIN 933	2
15	MPA 01 030 050	HOPPER	1
16	BS 505 500 600	NUT M6 DIN 1587	2
17	BR 000 910 160	RUBBER U-MOULDING	1
18	MPA 01 030 020	HANDLE	1



ELIET MINOR -- SAFETY GUARD					
NO	MMA-01.030.120	REV	1	DATE	2003/06/30

ELIET SPARE PARTS MANUAL

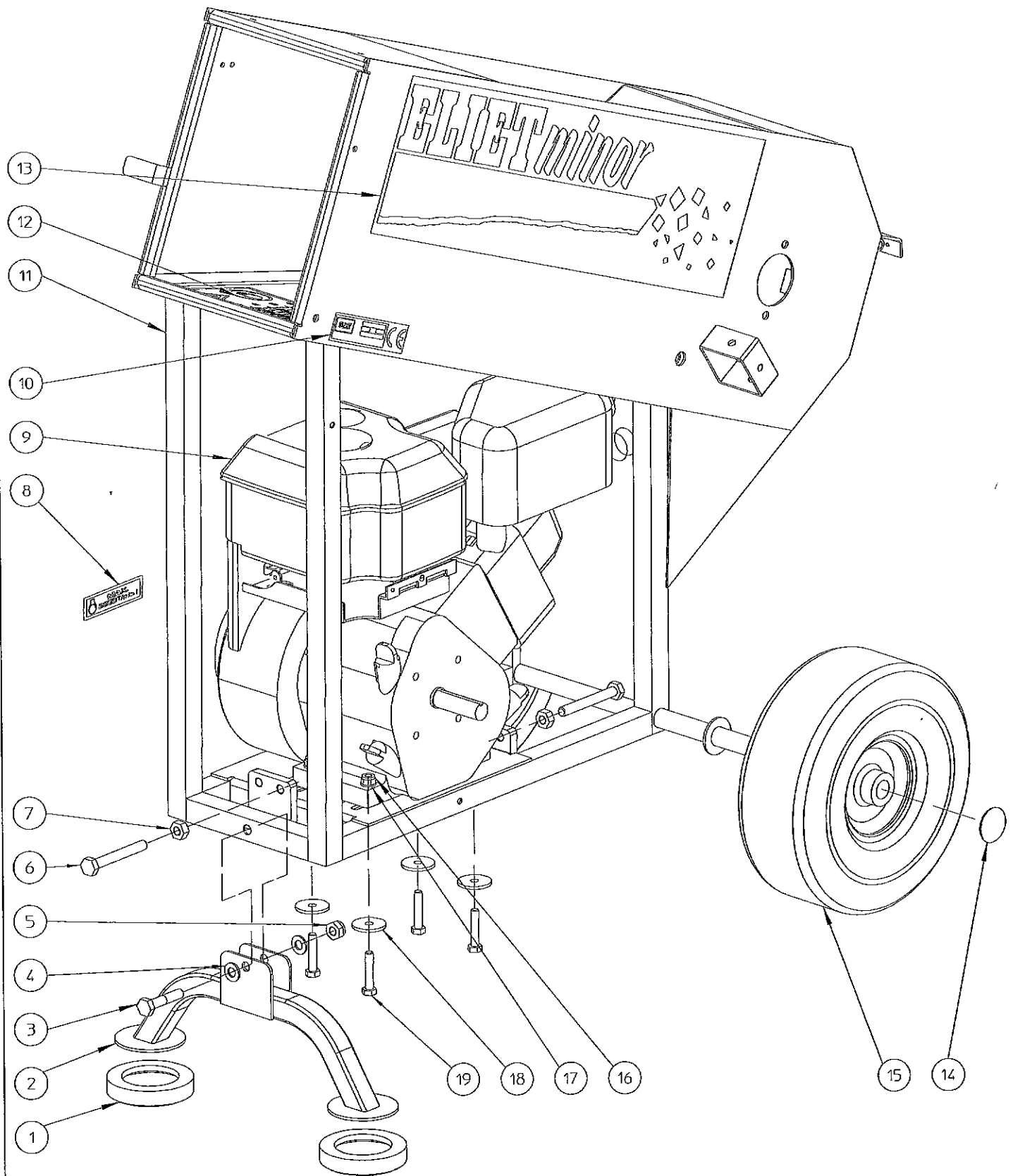
MINOR

ASSEMBLYLIST 2

SAFETY GUARD

MMA 01 030 120-1

ITEM	PART NUMBER	DESCRIPTION	QUANTITY
1	BS 502 000 800	SELF LOCKING NUT M8 DIN 985	2
2	BS 531 000 800	WASHER M8 DIN 125	4
3	BR 112 080 300	NYLON BUSHING WITH COLAR (8.2/10.9/18x3.5/1.5)	2
4	BS 512 000 820	BOLT M8X20 DIN 933	2
5	MPA 01 030 070	REAR SAFETY GUARD	1
6	BQ 505 010 070	SAFETY STICKER 100X80 (HANDCUTS)	1
7	BR 600 425 170	ANTIVIBRATION BLOCKS 25X17B M6X18	2
8	BS 501 000 600	NUT M6 DIN 934	2



ELIET MINOR -- CHASSIS				
NO	MMA-01.030.130	REV	1	DATE 2004/07/05

ELIET SPARE PARTS MANUAL

MINOR

ASSEMBLYLIST 3

CHASSIS

MMA 01 030 130-1

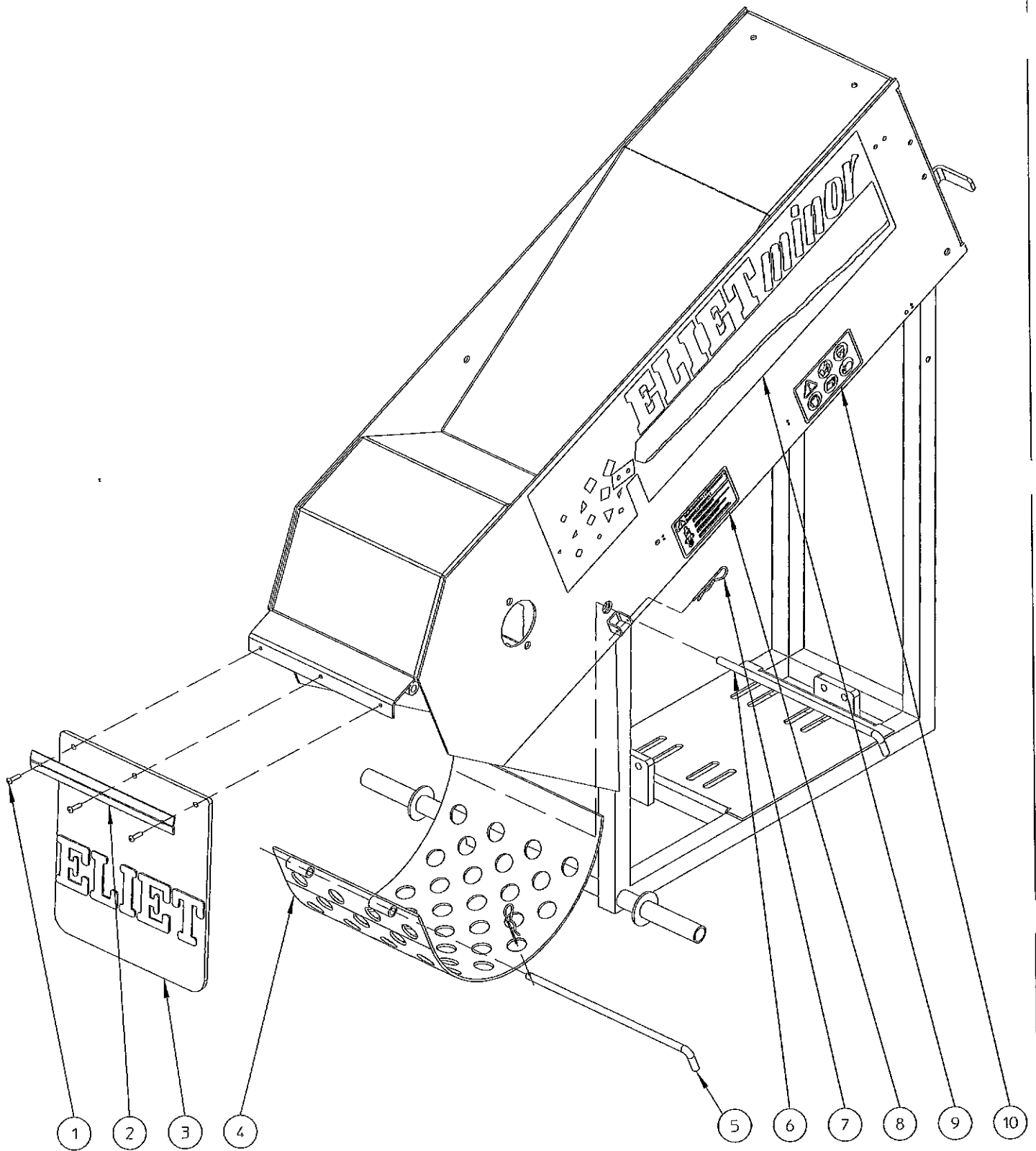
ITEM	PART NUMBER	DESCRIPTION	QUANTITY
1	BR 900 000 110	RUBBER SOCKS DIA 90X18MM	2
2	MPA 01 030 010	FOOT	1
3	BS 511 001 042	BOLT M10X50 DIN 931	1
4	BS 531 001 000	WASHER M10 DIN 125	2
5	BS 502 001 000	SELF LOCKING NUT M10 DIN 985	1
6	BS 512 001 048	BOLT M10X80 DIN 933	2
7	BS 501 001 000	NUT M10 DIN 934	2
8	BQ 505 010 030	STICKER MAX 3200 RPM 90X25	1
9	ENGINE	SEE BOTTOM OF THE PAGE	1
10	BQ 505 010 010	IDENTITY STICKER CE 120X30	1
11	MPA 01 030 040	CHASSIS	1
12	BQ 505 010 110	SAFETY STICKER 190X125 (INFEED)	1
13	BQ 501 030 020	STICKER ELIET MINOR 590X180 (R)	1
14	BB 011 000 200	STARLOCK 20MM	2
15	BW 029 020 000	WHEEL 4.00-4	2
16	BS 502 000 800	SELF LOCKING NUT M8 DIN 985	4
17	BS 531 000 800	WASHER M8 DIN 125	4
18	BS 532 008 356	WASHER M8X35X3	4
19	BS 512 000 840	BOLT M8X40 DIN 933	4

ENGINE	BM 202 005 500	HONDA GC 160	5.0 HP
ENGINE	BM 201 206 500	B&S INTEK PRO	6.5 HP
ENGINE	BM 201 306 000	B&S VANGUARD	6.0 HP
ENGINE	BM 202 105 500	HONDA GX 160	5.5 HP
ENGINE	BM 202 106 500	HONDA GX 200	6.5 HP

BT 654002000 CLIP 20 MM

↓ USE (see below 20.2)

BT 654001901 CLIP 19 MM



ELIET MINOR -- MACHINE REAR SIDE				
NO	MMA-01.030.140	REV	1	DATE 2004/07/05

ELIET SPARE PARTS MANUAL

MINOR

ASSEMBLYLIST 4

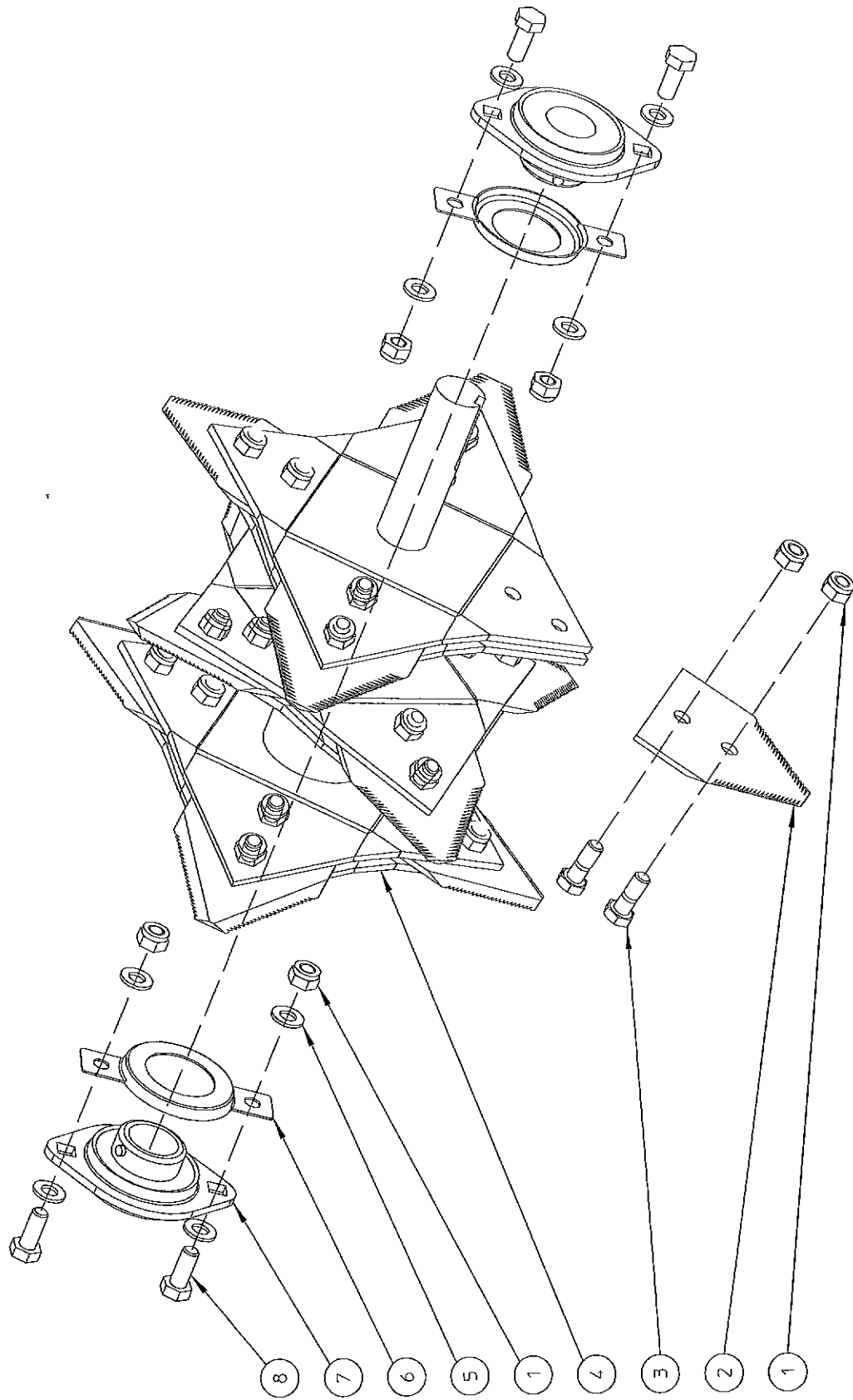
MACHINE REAR SIDE

MMA 01 030 140-1

ITEM	PART NUMBER	DESCRIPTION	QUANTITY
1	BB 221 104 160	POP PLUG ALU 3.9X16	3
2	MPA 01 030 090	RETAINER FOR ANTI PROJECTION FLAP	1
3	BR 900 001 020	RUBBER ANTI PROJECTION FLAP	1
4	MPA 01 030 100	STANDARD GRATING	1
5	MPA 01 030 140	LOCKING ROD WITH HOLE	1
6	MPA 01 030 130	LOCKING ROD WITHOUT HOLE	1
7	BB 040 102 040	HAIRPIN COTTER 2MM	2
8	BQ 505 010 040	SAFETY STICKER 60X100 (SPARK PLUG)	1
9	BQ 501 030 010	STICKER ELIET MINOR 590X180 (L)	1
10	BQ 505 010 050	SAFETY STICKER 60X100 (PICTOGRAM)	1

BT654001600 CLIP 16 MM
 ↓ USA (see table 26/105)

BT654001601 CLIP 16 MM.



ELIET MINOR -- ROTOR			
NO	MMA-01.030.150	REV	1
			C
			2004/07/02

ELIET SPARE PARTS MANUAL

MINOR

ASSEMBLYLIST 5

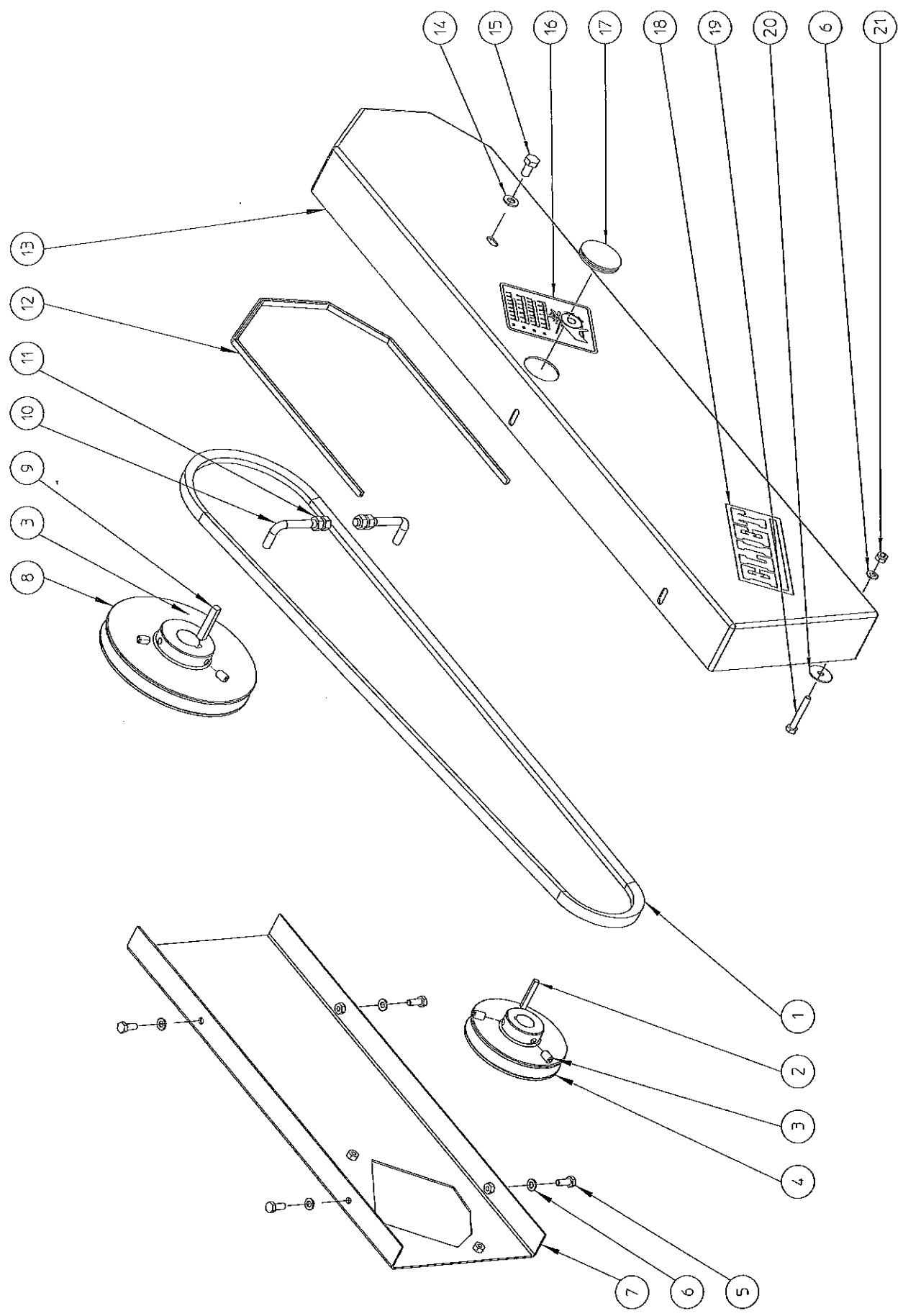
ROTOR

MMA 01 030 150-1

ITEM	PART NUMBER	DESCRIPTION	QUANTITY
1	BS 502 000 800	SELF LOCKING NUT M8 DIN 985	28
2	BU 101 200 300	KNIFE 83X76X3 <i>BU 101 200 300</i>	12
3	BS 011 000 822	BOLT M8X22 DIN 931	24
4	MPA 01 030 500	ROTOR	1
5	BS 531 000 800	WASHER M8 DIN 125	8
6	MPA 01 010 020	BEARING PROTECTION COVER 205	2
7	BL 801 102 500	BEARING + FLANGES ASPFL 205	2
8	BS 512 000 820	BOLT M8X20 DIN 933	4

ELIET MINOR --- TRANSMISSION

NO	MMA-01.030.160	REV	1	D	2004/07/05
----	----------------	-----	---	---	------------



ELIET SPARE PARTS MANUAL

MINOR

ASSEMBLYLIST 6

TRANSMISSION

MMA 01 030 160-1

ITEM	PART NUMBER	DESCRIPTION	QUANTITY
1	BA 521 216 000	BELT XPA 1600	1
2	BB 342 050 535	KEY 4.7X4.7X35	1
3	BS 023 000 812	SET SCREW M8X12 DIN 916	4
4	BA 565 710 002	PULLEY SPA 100X19.05X4.7 (ENGINE)	1
5	BS 512 000 610	BOLT M6X10 DIN 933	4
6	BS 531 000 600	WASHER M6 DIN 125	5
7	MPA 01 030 120	TRANSMISSION GUARD (INSIDE)	1
8	BA 565 716 001	PULLEY SPA 160X25X8 (ROTOR)	1
9	BB 341 080 740	KEY 8X7X40	1
10	MPA 01 010 180	V-BELT GUIDE	2
11	BS 501 000 800	NUT M8 DIN 934	4
12	BR 000 910 600	RUBBER GUARD EDGING	1
13	MPA 01 030 110	TRANSMISSION GUARD (OUTSIDE)	1
14	BS 531 000 800	WASHER M8 DIN 125	1
15	BS 512 000 816	BOLT M8X16 DIN 933	1
16	BQ 505 010 130	SAFETY STICKER 100X80 (BELT TRANSMISSION)	1
17	BR 500 103 800	RUBBER PLUG 42X38X1.6	1
18	BQ 501 010 020	STICKER ELIET 130X60	1
19	BS 512 000 640	BOLT M6X40 DIN 933	1
20	BS 532 006 253	WASHER M6X25X1.5	1
21	BS 502 000 600	SELF LOCKING NUT M6 DIN 985	1

ELIET MINOR --- ELECTRICAL SYSTEM

NO	MMA-01.030.170	REV	1	C	2003/07/01
----	----------------	-----	---	---	------------

