

# CRAWLER CARRIER

**SC-156**      **DA**  
**DB**  
**DC**  
**DD**

**(WITH MITSUBISHI GM131 OHV ENGINE)**

# PARTS LIST

**SABRE ITALIA** 

Tel. 0444 977655 – Fax 0444 977200  
[www.sabreitalia.com](http://www.sabreitalia.com) – [info@sabreitalia.com](mailto:info@sabreitalia.com)



DWG NO.	CODE NO.	PART NAME	STANDARD	QTY FOR DA	QTY FOR DB	QTY FOR DC	QTY FOR DD	REMARKS
1- 1	6011550000	FREE WHEEL		4	4	4	4	
1- 2	0052100360	O-RING	P36	8	8	8	8	
1- 3	6061591000	FREE WHEEL DUST PROTECTING CAP		4	4	4	4	
1- 4	0026100020	FLAT WASHER	M20	4	4	4	4	
1- 5	0027100020	SPRING WASHER	M20	4	4	4	4	
1- 6	0020200020	NUT	M20 x P 1.5	4	4	4	4	
1- 7	0060660000	GREASE NIPPLE	1/4-28UNF A	4	4	4	4	
1- 8	6011530000	FRONT WHEEL		2	2	2	2	
1- 9	0040146005A	BEARING	B B6005(2NS)	4	4	4	4	
1- 10	6016511000	FRONT WHEEL DUST PROTECTING CAP		4	4	4	4	
1- 11	0052300450	O-RING	G45	4	4	4	4	
1- 12	6030201000	FLAT WASHER		2	2	2	2	
1- 13	0027100010	SPRING WASHER	M10	2	2	2	2	
1- 14	0010101020	BOLT	M10x20	2	2	2	2	
1- 15	60700120300	SHAFT, FRONT		1	1	1	1	
1- 16	60700120200	HOLDER		2	2	2	2	
1- 17	0020100012	NUT	M12	4	4	4	4	
1- 18	60700120400	COLLAR , FRONT		2	2	2	2	
1- 19	6491020000	SPROCKET 9T		2	2	2	2	
1- 20	0031319803	PLAIN PIN	Ø 10 x 60 (54)	2	2	2	2	
1- 21	0031100010	PIN WITH STOPPER	Ø 10 x Ø 2	2	2	2	2	
1- 22	6496203000	RUBBER CRAWLER	180 <sup>W</sup> x34 <sup>L</sup> x 60 <sup>P</sup>	2	2	2	2	
1- 23	60701020010	CHASSIS		1	1	1	1	
1- 24	6376512000	RUBBER		2	2	2	2	
1- 25	6496011002	TRANSMISSION ASSY	FT15	1	1	1	1	
1- 26	0100000060	BOLT	M10 x 65	1	1	1	1	
1- 27	0026100010	FLAT WASHER	M10	2	2	2	2	
1- 28	0027100010	SPRING WASHER	M10	1	1	1	1	
1- 29	0020100010	NUT	M10	1	1	1	1	
1- 30	60706020000	HANDLE		1		1		
1- 31	6066030000	GRIP	Ø 26	2	2	2	2	
1- 32	0010101025	BOLT	M10 x 25	2	2	2	2	
"	0010101025	SPRING WASHER	M10 x 25	1	1	1	1	FOR HONDA GX 110,GX 120
"	0010101065	BOLT	M10 x 65	1	1	1	1	" "
1- 33	0027100010	SPRING WASHER	M10	2	2	2	2	

DWG NO.	CODE NO.	PART NAME	STANDARD	QTY FOR DA	QTY FOR DB	QTY FOR DC	QTY FOR DD	REMARKS
1 - 34	0010101225	BOLT	M12 x 25	2	2	2	2	
"	0010101225	"	M12 x 25	1	1	1	1	FOR HONDA ENGINE GX110, GX120
"	0010101265	"	M12 x 65	1	1	1	1	" "
1 - 35	0027100012	SPRING WASHER	M12	2	2	2	2	
1 - 36	0026100012	FLAT WASHER	M12	2	2	2	2	
1 - 37	6494300000	ENGINE PULLEY		1	1	1	1	FOR MITSUBISHI G131 ENGINE
"	6494300000	" "		1	1	1	1	FOR SHIBAURA GEF15RE ENGINE
"	6494300010	" "		1		1		FOR SHIBAURA GEF18RE ENGINE
"	6494300000	" "		1	1	1	1	FOR ROBINE EY152B ENGINE
"	6494300000	" "		1		1		FOR HONDA GX110 ENGINE
"	6494300000	" "		1	1	1	1	FOR HONDA GX120 ENGINE
"	6494300000	" "		1	1	1	1	FOR KAWASAKI FG150GX ENGINE
1 - 38	6492300010	INPUT AXLE PULLEY		1	1	1	1	
1 - 39	0300000015	KEY	5 x 5 x 20	1	1	1	1	
1 - 40	0160000830	BOLT	M 8 x 30	1	1	1	1	
1 - 41	0020100008	NUT	M8	1	1	1	1	
1 - 42	6492070000	U-BOLT		2	2	2	2	
1 - 43	0020100008	NUT	M8	4	4	4	4	
1 - 44	0027100008	SPRING WASHER	M8	4	4	4	4	
1 - 45	6492280000	TRACTION TENSION ARM ARM		1	1	1	1	
1 - 46	6066110000	TENSION PULLEY	55T 1	1	1	1	1	
1 - 47	0036800012	E-RING	E12	1	1	1	1	
1 - 48	6066070000	WASHER		1	1	1	1	
1 - 49	0027100006	SPRING WASHER	M6	1	1	1	1	
1 - 50	0010100616	BOLT	M6 X 16	1	1	1	1	
1 - 51	6492330001	CHANGE LEVER		1	1	1	1	
1 - 52	6006030000	GRIP	Ø 10 BLACK	1	1	1	1	
1 - 53	0030300525	SPRING PIN	Ø 5 X 25	1	1	1	1	
1 - 54	6492330010	TRACTION LEVER		1		1		
1 - 55	0036800012	E-RING	E12	1		1		
1 - 56	6066030010	GRIP	Ø 9.5 BLACK	1		1		
1 - 57	6744290150	ENGINE BASE		1	1	1	1	FOR MITSUBISHI GM131 ENGINE
"	6492290000	ENGINE BASE (R)		1	1	1	1	FOR SHIBAURA GEF15RE ENGINE
"	6492290000	ENGINE BASE (R)		1		1		FOR SHIBAURA GEF18RE ENGINE
"	6492290000	ENGINE BASE (R)		1	1	1	1	FOR ROBINE EY-152B ENGINE

DWG NO.	CODE NO.	PART NAME	STANDARD	QTY FOR DA	QTY FOR DB	QTY FOR DC	QTY FOR DD	REMARKS
1 - 57	6744340100	ENGINE BASE		1		1		FOR HONDA GX110 ENGINE
"	6744340100	" "		1	1	1	1	FOR HONDA GX120 ENGINE
"	6492290000	ENGINE BASE (R)		1	1	1	1	FOR KAWASAKI FG150 ENGINE
1 - 58	6744290150	ENGINE BASE		1	1	1	1	FOR MITSUBISHI GM131 ENGINE
"	6492290010	ENGINE BASE (L)		1	1	1	1	FOR SHIBAURA GEF15RE ENGINE
"	6492290010	ENGINE BASE (L)		1		1		FOR SHIBAURA GEF18RE ENGINE
"	6492290010	ENGINE BASE (L)		1	1	1	1	FOR ROBIN EY-152B ENGINE
"	6744340100	ENGINE BASE		1		1		FOR HONDA GX110 ENGINE
"	6744340100	ENGINE BASE		1	1	1	1	FOR HONDA GX120 ENGINE
"	6492290010	ENGINE BASE (L)		1	1	1	1	FOR KAWASAKI FG150GX ENGINE
1 - 59	60702260100	ENGINE	MITSUBISHI GM131	1	1	1	1	
"	6746001000	"	SHIBAURA GEF15RE	1	1	1	1	
"	6066001002	"	SHIBAURA GEF18RE	1		1		
"	6756002000	"	ROBIN E Y - 152 B	1	1	1	1	
"	6756006000	"	HONDA G X 110	1		1		
"	60702260000	"	HONDA G X 120	1	1	1	1	
"	6746008000	"	KAWASAKI F G 150 G X	1	1	1	1	
1 - 60	0080300035	V-BELT	B35	1	1	1	1	FOR MITSUBISHI GM131 ENGINE
"	0080300035	"	B35	1	1	1	1	FOR SHIBAURA GEF15RE ENGINE
"	0080300035	"	B35	1		1		FOR SHIBAURA GEF18RE ENGINE
"	0080300035	"	B35	1	1	1	1	FOR ROBIN EY-152B ENGINE
"	0080300035	"	B35	1		1		FOR HONDA GX110 ENGINE
"	0080300036	"	B36	1	1	1	1	FOR HONDA GX120 ENGINE
"	0080300035	"	B35	1	1	1	1	FOR KAWASAKI FG150GX ENGINE
1 - 61	0010100820	BOLT	M8 x 20	4	4	4	4	
1 - 62	0026100008	FLAT WASHER	M8	4	4	4	4	
1 - 63	0027100008	SPRING WASHER	M8	4	4	4	4	
1 - 64	0020100008	NUT	M8	4	4	4	4	
1 - 65	6492650000	GUIDE PLATE CHANGE LEVER		1	1	1	1	
1 - 66	0015100616	BOLT	M6 x 16	4	4	4	4	
1 - 67	0027100006	SPRING WASHER	M6	4	4	4	4	
1 - 68	0026100006	FLAT WASHER	M6	4	4	4	4	
1 - 69	6492350000	FENDER (R)		1	1	1	1	
1 - 70	0010100816	BOLT	M8 x 16	2	2	2	2	
1 - 71	0027100008	SPRING WASHER	M8	2	2	2	2	

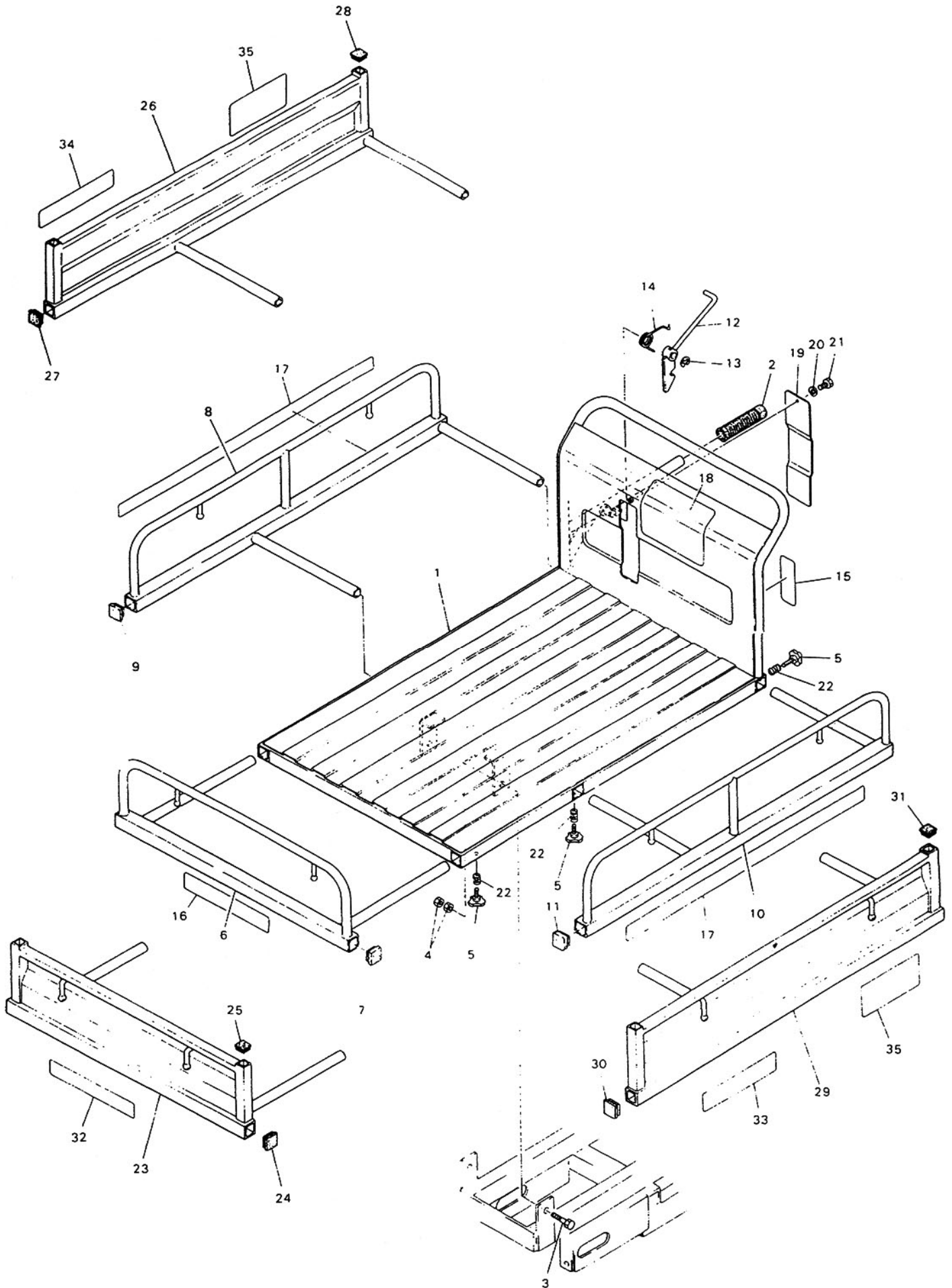
DWG NO.	CODE NO.	PART NAME	STANDARD	QTY FOR DA	QTY FOR DB	QTY FOR DC	QTY FOR DD	REMARKS
1 - 72	6492350010	FENDER (L)		1	1	1	1	
1 - 73	0010100816	BOLT	M8 x 16	2	2	2	2	FOR SHIBAURA GEF15RE/GEF18R
"	0010100816	"	M8 x 16	1	1	1	1	" "
"	0010100820	"	M8 x 20	1	1	1	1	
1 - 74	0027100008	SPRING WASHER	M8	2	2	2	2	
1 - 75	6462076010	WASHERHEAD BOLT (ENGINE)		4	4	4	4	
"	6332072010	WASHERHEAD BOLT		4	4	4	4	FOR HONDA GX120
1 - 76	0026100008	FLAT WASHER	M8	4	4	4	4	
1 - 77	0027100008	SPRING WASHER	M8	4	4	4	4	
1 - 78	0020100008	NUT	M8	4	4	4	4	
1 - 79	6152400000	ROD		1		1		
1 - 80	6066080000	FLAT HEAD PIN	Ø 6 x 19 (15)	1		1		
1 - 81	0026100006	FLAT WASHER	M6	1		1		
1 - 82	0031199006	PIN WITH STOPPER	Ø 6	1		1		
1 - 83	6066080000	FLAT HEAD PIN	Ø 6 x 19 (15)	1		1		
1 - 84	0026100006	FLAT WASHER	M6	1		1		
1 - 85	0031199006	PIN WITH STOPPER	Ø 6	1		1		
1 - 86	2410360150	CLUTCH COVER		1		1		
1 - 87	0010100612	BOLT	M6 x 12	1		1		
1 - 88	0026100006	FLAT WASHER	M6	1		1		
1 - 89	0010700625	SOCKET BOLT	M6 x 25	1		1		
1 - 90	0020100006	NUT	M6	1		1		
1 - 91	0027100006	SPRING WASHER	M6	1		1		
1 - 92	0020100006	NUT	M6	1		1		
1 - 93	6172105000	SPRING		1	1	1	1	
1 - 94	6492100000	SPRING		1	1	1	1	
1 - 95	6062370010	BELT HOLDER		1	1	1	1	
1 - 96	0026100008	FLAT WASHER	M8	1	1	1	1	
1 - 97	0027100008	SPRING WASHER	M8	1	1	1	1	
1 - 98	0010100816	BOLT	M8 x 16	1	1	1	1	
1 - 99	6062370010	BELT HOLDER		1	1	1	1	
1 - 100	0010100825	BOLT	M8 x 25	1	1	1	1	
1 - 101	0027100008	SPRING WASHER	M8	1	1	1	1	
1 - 102	0026100008	FLAT WASHER	M8	1	1	1	1	
1 - 103	6102040000	WASHER		1	1	1	1	

DWG NO.	CODE NO.	PART NAME	STANDARD	QTY FOR DA	QTY FOR DB	QTY FOR DC	QTY FOR DD	REMARKS
1 - 104	0027100008	SPRING WASHER	M8	1	1	1	1	
1 - 105	0020100008	NUT	M8	1	1	1	1	
1 - 106	6062370010	BELT HOLDER		2	2	2	2	
1 - 107	0026100008	FLAT WASHER	M8	2	2	2	2	
1 - 108	0027100008	SPRING WASHER	M8	2	2	2	2	
1 - 109	0010100816	BOLT	M8 x 16	2	2	2	2	
1 - 110	6062104010	SPRING		2	2	2	2	
1 - 111	6496520000	BELT COVER		1	1	1	1	
1 - 112	0010100812	BOLT	M8 x 12	2	2	2	2	
1 - 113	0027100008	SPRING WASHER	M8	2	2	2	2	
1 - 114	6102040000	WASHER		2	2	2	2	
1 - 115	6066132000	THROTTLE LEVER		1	1	1	1	
1 - 116	6066043000	THROTTLE WIRE		1	1	1	1	FOR MITSUBISHI GM131 ENGINE
"	6496040000	" "		1	1	1	1	FOR SHIBAURA GEF15RE ENGINE
"	6496040000	" "						FOR SHIBAURA GEF18RE ENGINE
"	7006044000	" "						FOR ROBIN EY-152B ENGINE
"	6066043000	" "						FOR HONDA GX110 ENGINE
"	6066043000	" "						FOR HONDA GX120 ENGINE
"	6496040000	" "		1	1	1	1	FOR KAWASAKI FG150GX ENGINE
1 - 117	6496040010	BRAKE WIRE		1	1	1	1	
1 - 118	6066080000	PIN	Ø 6 x 19 (15)	1	1	1	1	
1 - 119	0026100006	FLAT WASHER	M6	1	1	1	1	
1 - 120	0031199006	PIN WITH STOPPER	Ø 6	1	1	1	1	
1 - 121	6066080000	PIN	Ø 6 x 19 (15)	1	1	1	1	
1 - 122	0026100006	FLAT WASHER	M6	1	1	1	1	
1 - 123	0031199006	PIN WITH STOPPER	Ø 6	1	1	1	1	
1 - 124	6496130000	CLUTCH LEVER	IN ACCIAIO	1		1		
"	6492999000	CLUTCH LEVER	IN PLASTICA		1		1	
1 - 125	6496040020	SIDE CLUTCH WIRE		1	1	1	1	
1 - 126	0026100006	FLAT WASHER	M6	1	1	1	1	
1 - 127	0031199006	PIN WITH STOPPER	Ø 6	1	1	1	1	
1 - 128	6496130000	CLUTCH LEVER	IN ACCIAIO	1		1		
"	6492999000	CLUTCH LEVER	IN PLASTICA		1		1	
1 - 129	6496040020	SIDE CLUTCH WIRE		1	1	1	1	
1 - 130	0026100006	FLAT WASHER	M6	1	1	1	1	
1 - 131	0031199006	PIN WITH STOPPER	Ø 6	1	1	1	1	

DWG NO.	CODE NO.	PART NAME	STANDARD	QTY FOR DA	QTY FOR DB	QTY FOR DC	QTY FOR DD	REMARKS
1 - 132	6496040030	TRACTION TENSION WIRE		1			1	
1 - 133	6496020000	TRACTION MARK		1			1	
1 - 134	6496020030	INPUT MARK		2			2	
1 - 135	6496020010	SHIFT MARK		1	1	1	1	
1 - 136	4226024001	DIRECTION MARK		1	1	1	1	
1 - 137	6316026000	REFUELING MARK		1	1	1	1	
1 - 138	2499110030	BAND		5	5	5	5	
"	2499110030	"		6	6	6	6	FOR MITSUBISHI GM131 ENGINE
1 - 139	6062070010	HOOK SCREW		1	1	1	1	
1 - 140	0026100012	FLAT WASHER	M12	2	2	2	2	
1 - 141	0027100012	SPRING WASHER	M12	1	1	1	1	
1 - 142	0020100012	NUT	M12	1	1	1	1	
1 - 143	6746030000	MARK "SATO"		1	1	1	1	
1 - 144	60700120000	CRAWLER EXTENSION	ROD	2	2	2	2	
1 - 145	60700120100	SPRING		2	2	2	2	
1 - 146	0026100014	FLAT WASHER	M14	2	2	2	2	
1 - 147	6066070000	WASHER		1		1		
1 - 148	6066020032	MARK		1	1	1	1	
1 - 149	6491040600	COLLAR		2	2	2	2	
1 - 150	6376520000	ROLLING WHEEL	Ø 78	2	2	2	2	
1 - 151	0026100014	FLAT WASHER	M14	2	2	2	2	
1 - 152	0027100014	SPRING WASHER	M14	2	2	2	2	
1 - 153	0010701445	SCREW CAP	M14 x 45	2	2	2	2	
1 - 154	60706560100	MARK		1	1	1	1	
1 - 155	6496J30600	CLUTCH LEVER			1		1	
1 - 156	0031310640	PIN	Ø 6 x 43 (40)		1		1	
1 - 157	0026100006	FLAT WASHER	M6		1		1	
1 - 158	0031199006	PIN WITH STOPPER	Ø 6		1		1	
1 - 159	0026100006	FLAT WASHER	M6		1		1	
1 - 160	0031199006	PIN WITH STOPPER	Ø 6		1		1	
1 - 161	6494310600	HANDLE (DEADMAN)			1		1	
1 - 162	6496040600	TRACTION WIRE (DEADMAN)			1		1	
1 - 163	0100000192	BOLT	M6 x 25		2		2	
1 - 164	0026100008	FLAT WASHER	M8	4	4	4	4	
1 - 165								(FOR HONDA ENGINE)



SC156DA, DB, DC, DD



DWG NO.	CODE NO.	PART NAME	STANDARD	QTY FOR DA	QTY FOR DB	QTY FOR DC	QTY FOR DD	REMARKS
2- 1	6494600000	DECK		1	1	1	1	
2- 2	7276030000	GRIP	Ø 25. 4	1	1	1	1	
2- 3	0010111445	BOLT	M14 x 45 Half Thread (S45C)	2	2	2	2	
2- 4	0020100014	NUT	M14	4	4	4	4	
2- 5	0100000108	KNOB BOLT	M8 x 15	6	6	6	6	
2- 6	6492630000	FRONT WALL		1	1			
2- 7	6056210000	RUBBER CAP	32 x 32 x t 1.6	2	2			
2- 8	6492630010	SIDE WALL (R)		1	1			
2- 9	6056210000	RUBBER CAP	32 x 32 x t 1.6	2	2			
2- 10	6492630020	SIDE WALL (L)		1	1			
2- 11	6056210000	RUBBER CAP	32 x 32 x t 1.6	2	2			
2- 12	6062393000	DUMP HOOK		1	1	1	1	
2- 13	0036800012	E-RING	E12	1	1	1	1	
2- 14	6062104040	SPRING		1	1	1	1	
2- 15	6316391000	REFLECTING STICKER		2	2	2	2	
2- 16	6746060010	CAPACITY LABEL		1	1			
2- 17	60706560000	MARK "156DB"	S C 156 D B	1	2			
"	60716560000	MARK "156DA"	S C 156 D A	2				
2- 18	6386020021	MARK "GORIKI"		1	1	1	1	
2- 19	6494990000	COVER		1	1	1	1	
2- 20	0027100006	SPRING WASHER	M6	1	1	1	1	
2- 21	0010100612	BOLT	M6 x 12	1	1	1	1	
2- 22	6492100020	SPRING KNOB BOLT		6	6	6	6	
2- 23	60725220000	FRONT AUX. DECK				1	1	
2- 24	6056210000	RUBBER CAP	For Sq. Pipe 32 x 32 x t 1.6			2	2	
2- 25	6056210010	RUBBER CAP	For Sq. Pipe 25 x 25 x t 1.6			2	2	
2- 26	60725220100	AUX. DECK (R)				1	1	
2- 27	6056210000	RUBBER CAP	For Sq. Pipe 32 x 32 x t 1.6			2	2	
2- 28	6056210010	RUBBER CAP	For Sq. Pipe 25 x 25 x t 1.6			2	2	
2- 29	60725220200	AUX. DECK (L)				1	1	
2- 30	6056210000	RUBBER CAP	For Sq. Pipe 32 x 32 x t 1.6			2	2	
2- 31	6056210010	RUBBER CAP	For Sq. Pipe 25 x 25 x t 1.6			2	2	
2- 32	6746060010	CAPACITY LABEL				1	1	
2- 33	60726560000	LABEL (MODEL)	S C 156 D C			1		
"	60736560000	" ( " )	S C 156 D D				1	
2- 34	60726560100	MARK (SATO MFG)				1	1	
2- 35	61106560200	CORPORATE PATTERN				2	2	

