

SRM850VH
PARTS CATALOG
2002 YEAR

SATO

SATO MFG.CO.,LTD.

SABRE ITALIA

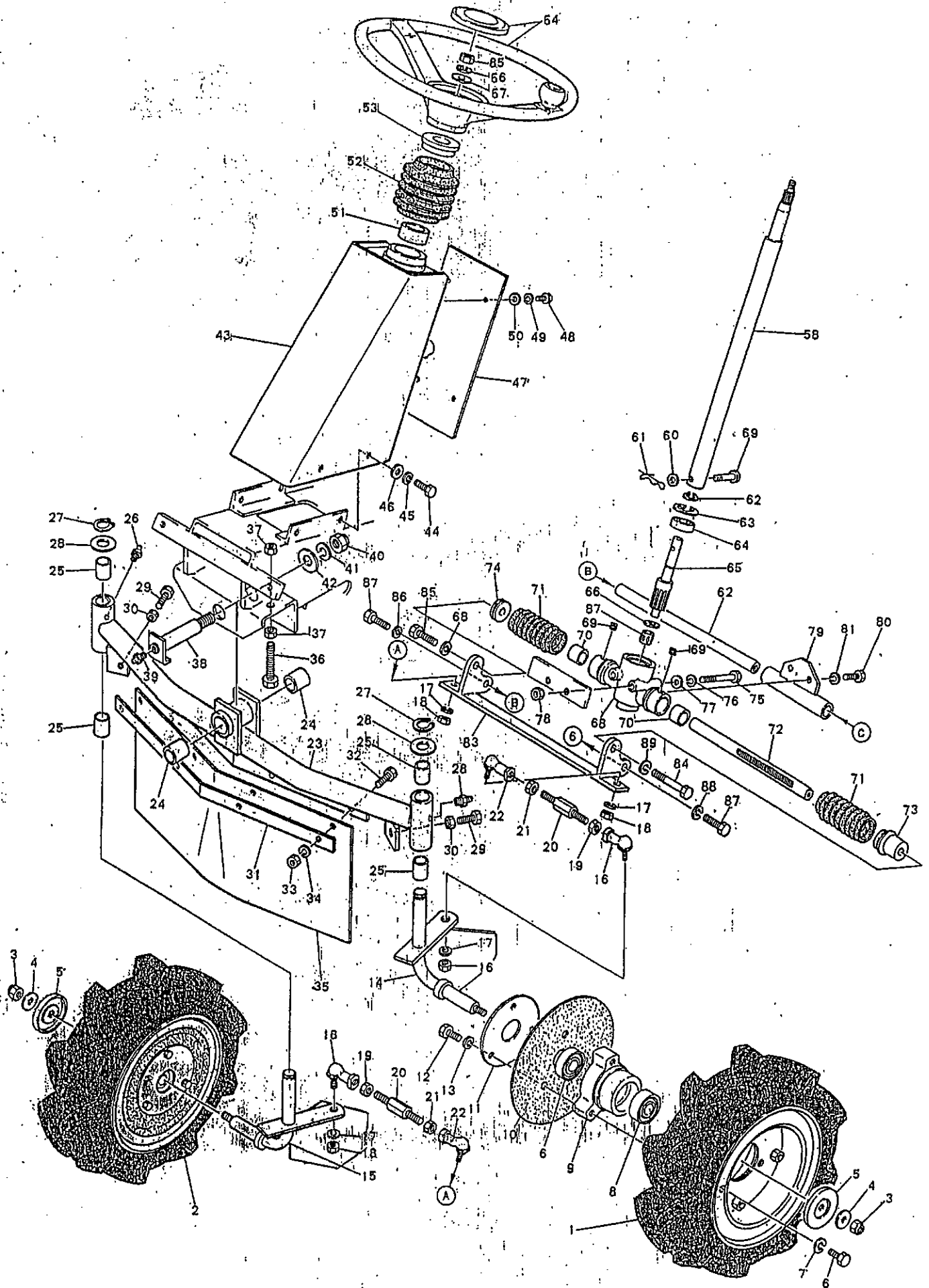


Via Aldo Moro, 45 - C.P. 103
36033 ISOLA VICENTINA (VI) ITALIA
Tel. 0444 977655 r.a. - Fax 0444 977200
E-mail info@sabreitalia.com - <http://www.sabreitalia.com>

h.s.c

b&s

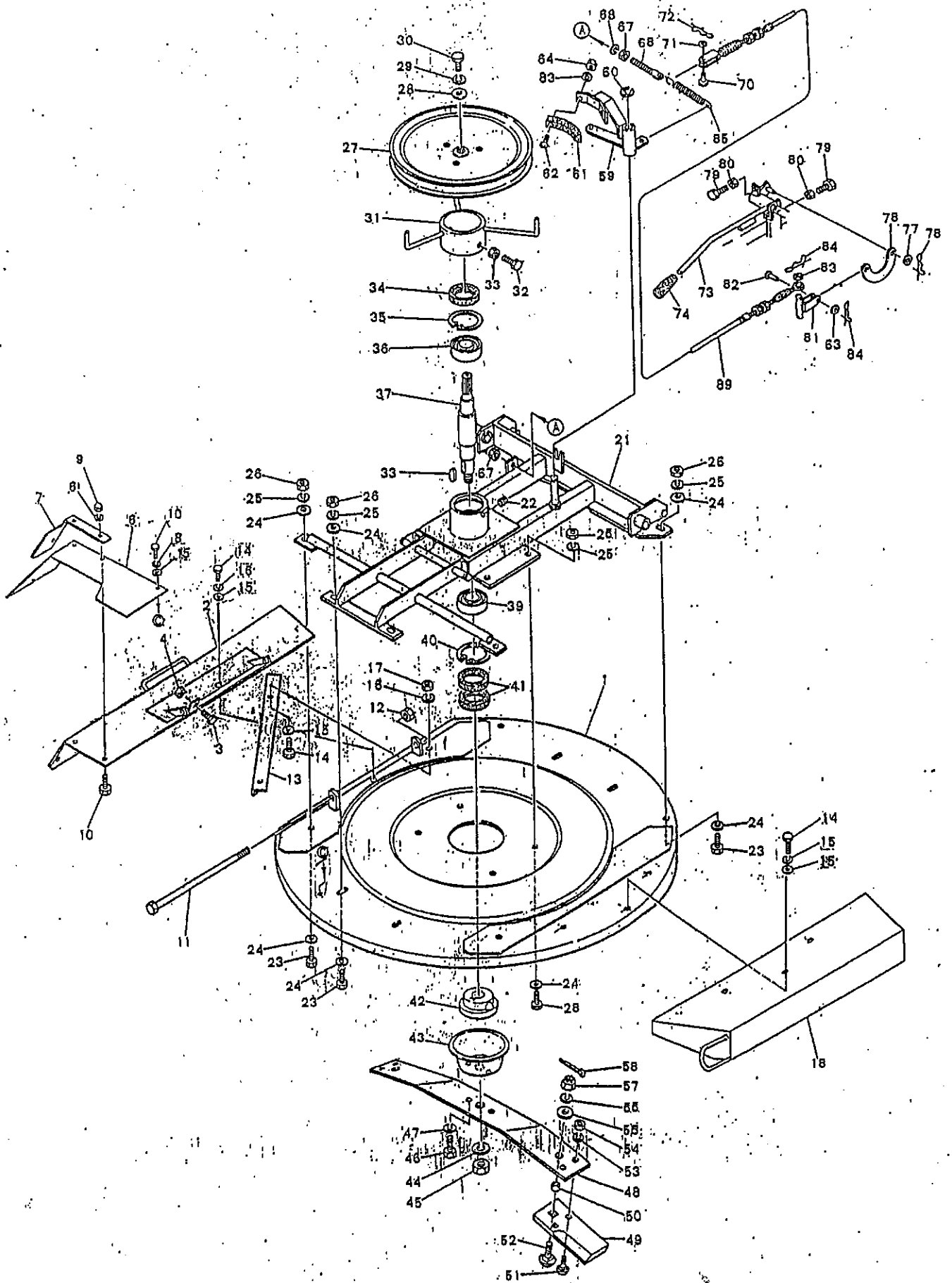
SRM850VH 1 Front Axle, Steering System



Item No	Parts number	Parts name	Remarks	Q'ty
1-1	71250262300	Tire (L)	AG350-7	1
1-2	71250262400	Tire (R)	AG350-7	1
1-3	0022400010	U-Nut	M10	2
1-4	7082200000	Washer		4
1-5	7292461010	Dust cap		2
1-6	0010100820	Bolt	M8×20	2
1-7	0027100008	Spring washer	M8	6
1-8	0040146204A	Bearing	6204 (2NS)	6
1-9	71200220000	Hub (Front wheel)		6
1-10	71220260200	Rubber (Front wheel)		6
1-11	71200220100	Plate (Front wheel)		2
1-12	0010100816	Bolt	M8×16	2
1-13	0027100008	Spring washer	M8	2
1-14	71250220900	Knuckle (LH)		1
1-15	71250220S00	Knuckle (RH)		1
1-16	7076410000	Link ball	BL10BD	2
1-17	0027100010	Spring washer	M10	2
1-18	0020100010	Nut	M10	1
1-19	0020100010	Nut	M10	1
1-20	71256120300	Rod		4
1-21	0200000062	Nut	M10(L)	1
1-22	7076410010	Link ball	BL10BDL	2
1-23	71250220100	Front axlo		2
1-24	00MB2525DU	Bush	MB2525DU	2
1-25	00MB2025DU	Bush	MB2025DU	4
1-26	0060670000	Fitting, grease	M6×P1.0 A	2
1-27	0036100020	Snap ring	S 20	2
1-28	0026100020	Plain washer	M20	2
1-29	0100000016	Bolt	M8×30	4
1-30	0020100008	Nut	M8	4
1-31	71250220200	Plate (Rubber)		1
1-32	0010100820	Bolt	M8×20	1
1-33	0020100008	Nut	M8	1
1-34	0027100008	Plain washer	M8	1
1-35	71220260400	Rubber (Front)		2
1-36	0100000060	Bolt	M10×65	4
1-37	0020100010	Nut	M10	1
1-38	71220221200	Pin (Center)		1
1-39	0060670000	Fitting, grease	M6×P1.0 A	1
1-40	0022400016	U-Nut	M16	1
1-41	0027100016	Spring washer	M16	1
1-42	7022200000	Washer		1
1-43	71256121100	Steering column		1
1-44	0010100816	Bolt	M8×16	1
1-45	0027100008	Spring washer	M8	1
1-46	0026100008	Plain washer	M8	1
1-47	71256121200	Cover column		1
1-48	0010100612	Bolt	M6×12	1

Item No	Parts number	Parts name	Remarks	Q'ty
1-49	0027100006	Spring washer	M6	4
1-50	0026100006	Plain washer	M6	4
1-51	71206160000	Bush		1
1-52	71206160100	Boot		1
1-53	71306160100	Collar (Boot)		1
1-54	71206160200	Steering wheel		1
1-55	0020200014	Nut	M14×P1.5	1
1-56	0027100014	Spring washer	M14	1
1-57	0026100014	Plain washer	M14	1
1-58	71256121000	Sbaft steering		1
1-59	71206160300	Pin	φ 6×33(28)	1
1-60	0026100006	Plain washer	M6	1
1-61	0031199006	Pin with Stopper	φ 6	1
1-62	0036100015	Snap ring	S 15	1
1-63	0036500035	Snap ring	R 35	1
1-64	0040146202A	Bearing ball	6202(2NS)	1
1-65	71207020200	Pinion gear		1
1-66	7366621080	Washer		1
1-67	0430010120	Bearing needle		1
1-68	71207040000A	Steering gear box Assy		1
1-68	71207020100	Steering gear box case		1
1-69	0160000506	Set screw	M5×6	2
1-70	7366621040	Bush	BC2	2
1-71	7256540010	Boot		2
1-72	7366621030	Luck gear		1
1-73	71206121000	Collar (Boot) RH		1
1-74	4452041000	Collar (Boot)		1
1-75	0010130870	Bolt	M8×70(11T)	2
1-76	0027100008	Spring washer	M8	2
1-77	0026100008	Plain washer	M8	2
1-78	0020200008	Nut	M8	2
1-79	71256120200	Guide relay rod		1
1-80	0010110620	Belt	M6×20(8T)	2
1-81	0027100006	Spring washer	M6	2
1-82	71206120500	Relay rod		1
1-83	71256120100	Arm (Steering)		1
1-84	0010110860	Bolt	M8×60(8T)	1
1-85	0010110830	Bolt	M8×30(8T)	1
1-86	0027100008	Spring washer	M8	2
1-87	0010210830	Bolt	M8×30(8T)	2
1-88	0027100008	Spring washer	M8	2

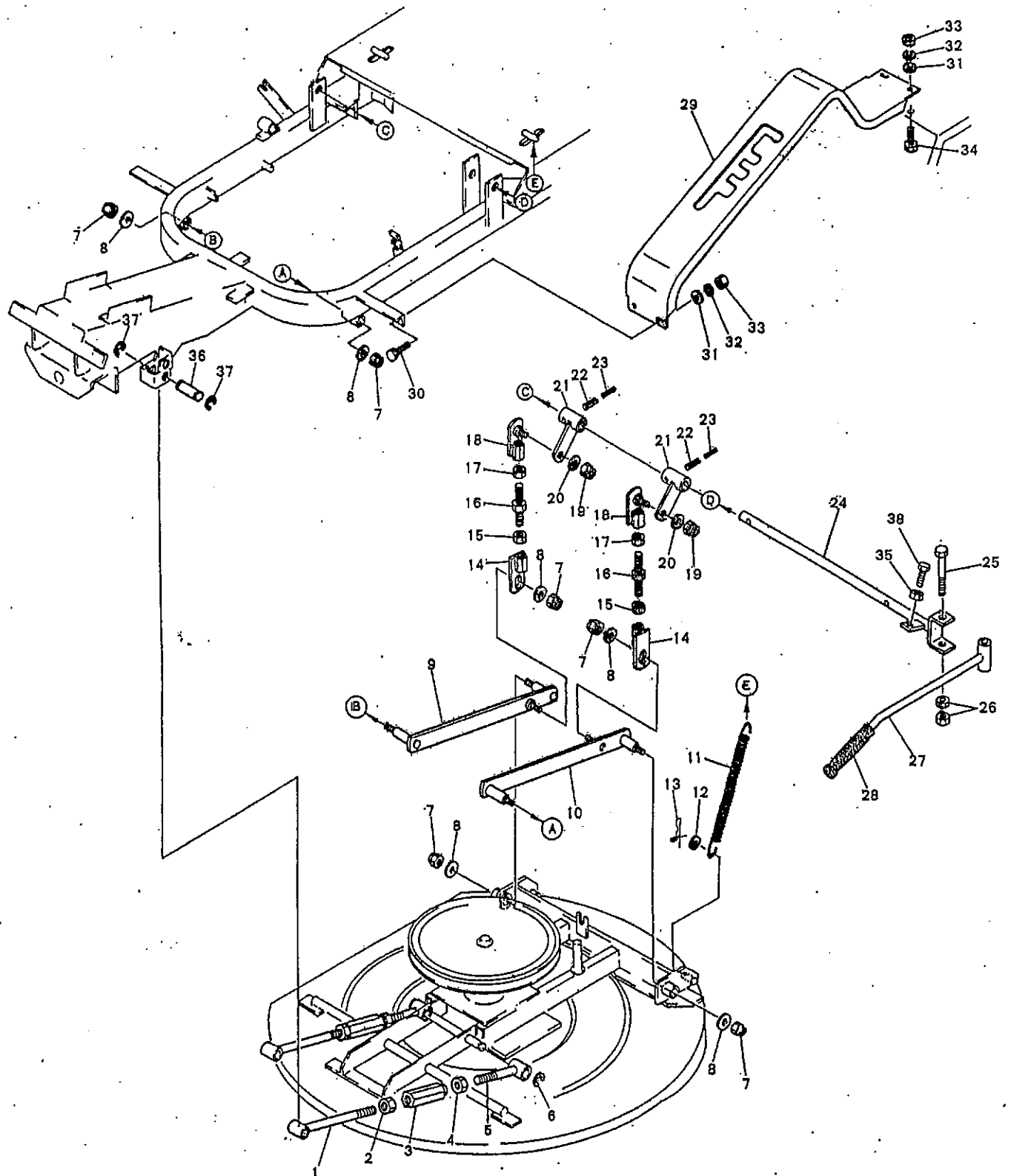
SRM850VH 2 Rotary System



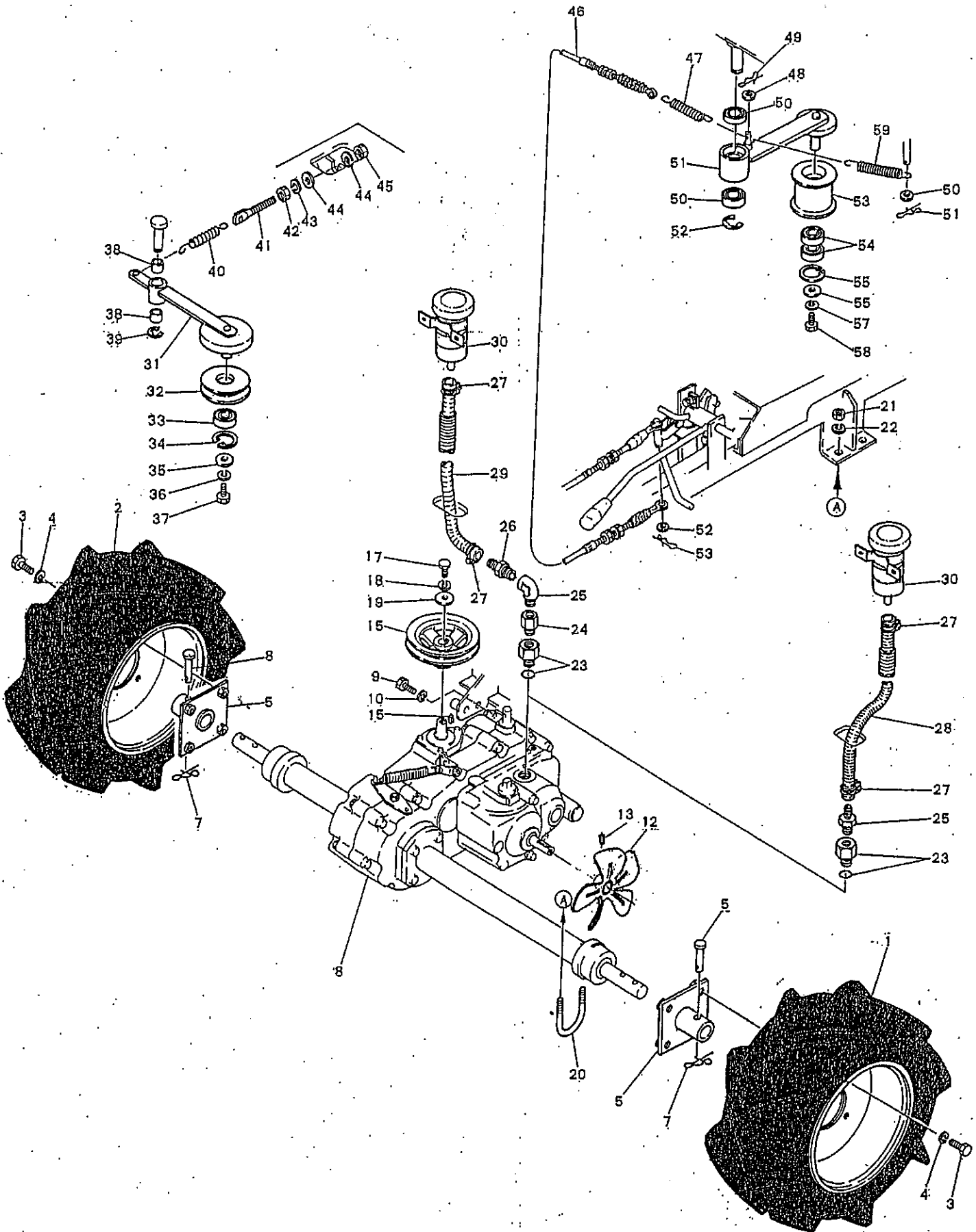
Item No	Parts number	Parts name	Remarks	Q'ty
2-1	71255320900	Rotary cover		1
2-2	71255320700	Guard cover LH		1
2-3	0010100820	Bolt	M8×20	1
2-4	0020100008	Nut	M8	1
2-5				
2-6	71225362100	Rubber rotary cover		1
2-7	71225321400	Plate rubber		1
2-8	0027100008	Spring washer	M8	6
2-9	0024500008	Cup nut	M8	3
2-10	0010100820	Bolt	M8×20	6
2-11	71255320300	Pin		1
2-12	0210000008	Nylon nut	M8	1
2-13	71225320500	Guide rotary cover		1
2-14	0010100816	Bolt	M8×16	1
2-15	0026100008	Plain washer	M8	1
2-16	0027100008	Sprung washer	M8	1
2-17	0020100008	Nut	M8	1
2-18	71215320800	Guard cover LH		1
2-19				
2-20				
2-21	71255320500	Support rotary cover		1
2-22	0064500100	Plug	PT1/8	1
2-23	0100000015	Bolt	M8×25	12
2-24	0026100008	Plain washer	M8	16
2-25	0027100008	Sprung washer	M8	12
2-26	0020100008	Nut	M8	12
2-27	71205320500	Pulley rotary		1
2-28	6030201000	Washer		1
2-29	0027100010	Spring washer	M10	1
2-30	0010101025	Bolt	M10×25	1
2-31	71225320300	Belt stopper rotary		1
2-32	0010101020	Bolt	M10×20	1
2-33	0020100010	Nut	M10	1
2-34	0600030627	Oil seal	UE30627	1
2-35	0036500062	Snap ring	R 62	1
2-36	0040146206A	Bearing ball	6206(2NS)	1
2-37	71205320400	Shaft rotary		1
2-38	0300000002	Key	7×7×25RR H	1
2-39	0040106007A	Bearing ball	6007	1
2-40	0036500062	Snap ring	R 62	1
2-41	0600356210	Oil seal	UE356210	2
2-42	71225320900	Boss knife		1
2-43	7002320010	Guard cover knife		1
2-44	0027100016	Spring washer	M16	1
2-45	0020210016	Nut	M16×P1.5(6T)	1
2-46	0010111025	Bolt	M10×25(8T)	2
2-47	0027100010	Spring washer	M10	2
2-48	71225361100	Arm blade		1

Item No	Parts number	Parts name	Remarks	Q'ty
2-49	71225362000	Blade		2
2-50	7392040000	Collar		2
2-51	7396070000	Bolt	M10×25(11T)	4
2-52	71305360300	Bolt		2
2-53	0027100010	Spring washer	M10	4
2-54	0020100010	Nut	M10	4
2-55	6002202000	Washer		2
2-56	0027100012	Spring washer	M12	2
2-57	71305360500	Nut castle	M12 (8T)	2
2-58	00301032255	Split pin	φ 3.2×25	2
2-59	71255320600	Arm		1
2-60	0036800012	Snap ring	E12	1
2-61	71205360100	Shoe brake	W03F8	1
2-62	0015100315	Screw	M3×15	2
2-63	0027100003	Spring washer	M3	2
2-64	0020100003	Nut	M3	2
2-65	7252110000	Spring		1
2-66	7252221000	Eye bolt		1
2-67	0020100008	Nut	M8	2
2-68	0027100008	Spring washer	M8	1
2-69	71205360300	Wire brake		1
2-70	6066080000	Pin	φ 6×19(15)	1
2-71	0026100006	Plain washer	M6	1
2-72	0031199006	Pin with stopper	φ 6用	1
2-73	71335321100	Lever rotary		1
2-74	60660300200	Grip	φ 9.5 R	1
2-75	2737220010	Rod wire		1
2-76				
2-77	0026100006	Plain washer	M6	1
2-78	0031199006	Pin with stopper		1
2-79	0010100820	Bolt	M8×20	2
2-80	0020200008	Nut	M8	2
2-81	71205321100	Rod wire rotary		1
2-82	6066080000	Pin	φ 6×19(15)	1
2-83	0026100006	Plain washer	M6	2
2-84	0031199006	Pin with stopper	φ 6	2

SRM850VH 3 Adjustment of cutting hight System

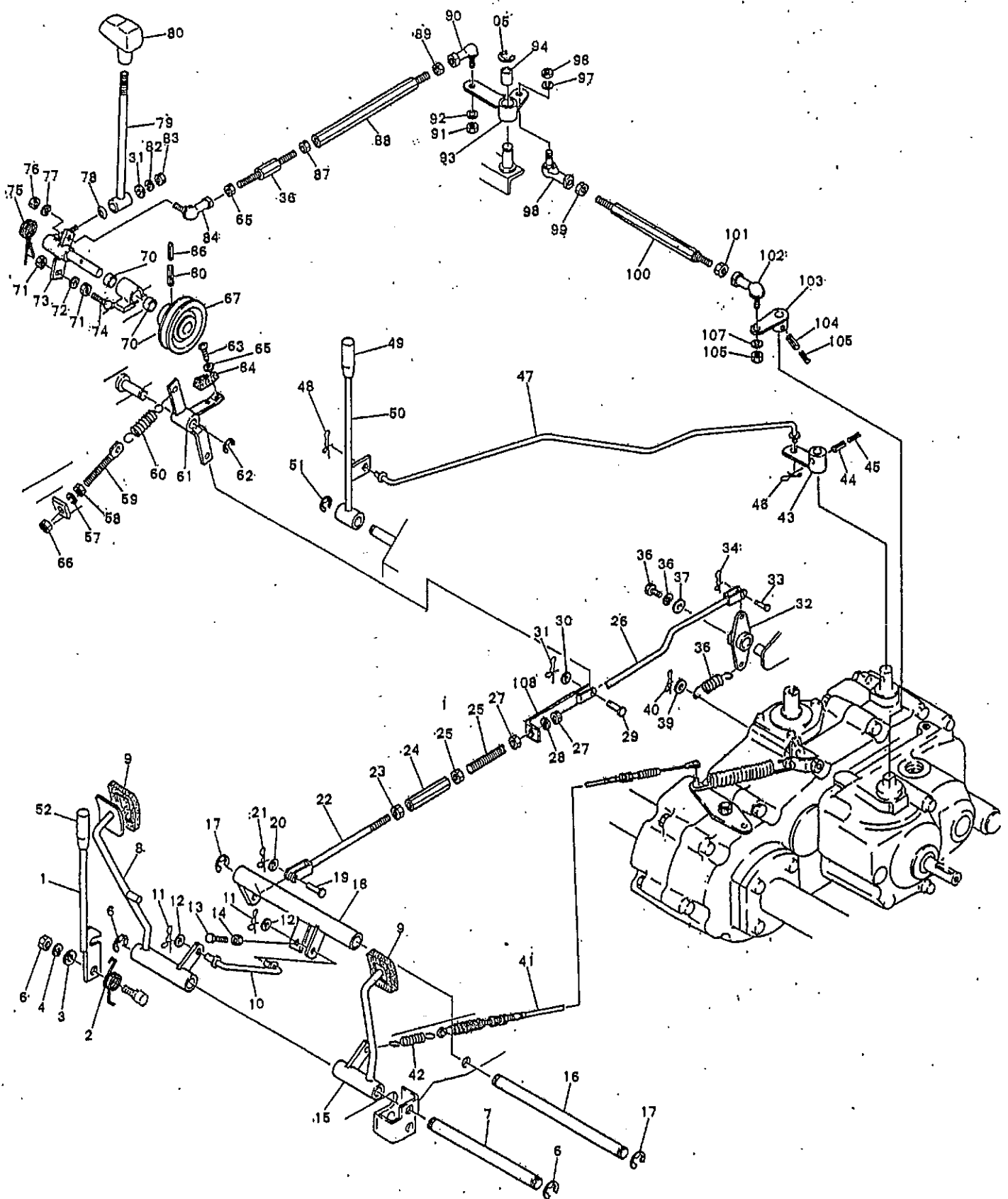


SRM850VH 4 Rear wheel, HST System



Item No	Parts number	Parts name	Remarks	Q'ty
4-1	71250262200	Tire (L)	16×7.00-8PL	1
4-2	71250262100	Tire (R)	16×7.00-8PL	1
4-3	0010101025	Bolt	M10×25	8
4-4	0027100010	Spring washer	M10	8
4-5	7760020000	Hub (Rear wheel)		2
4-6	0031311040	Pin	φ 10×46(40)	2
4-7	0031199010	Pin with stopper	φ 10	2
4-8	71250261500	Trans mission	FE29 AB01	1
4-9	0010100820	Bolt	M8×20	1
4-10	0027100008	Spring washer	M8	1
4-11				
4-12	71250261400	Fan (HST)		1
4-13	0160000056	Set screw	M5×6	1
4-14				
4-15	0310005516	Key	5×5×16R	1
4-16	71252120100	Pulley (HST)		1
4-17	0010100820	Bolt	M8×20	1
4-18	0027100008	Spring washer	M8	1
4-19	6002201000	Washer		1
4-20	71250220500	U bolt		2
4-21	0020100010	Nut	M10	4
4-22	0027100010	Spring washer	M10	4
4-23	60894060300	Nipple		1
4-24	71250260300	Nipple	PT3/8×PT3/8	1
4-25	41804063200	Elbow	PT3/8×PT3/8	1
4-26	71250261100	Joint	PT3/8×10.5	1
4-27	4816282000	B-Band	φ 11~16	2
4-28	71250261600	Hose		1
4-29	71250261200	Hose		1
4-30	71250261000	Tank HST		1
4-31	71252120700	Tension arm traction		1
4-32	71252120200	Tension pulley traction		1
4-33	0040146203A	Bearing ball	#6203(2NS)	1
4-34	0036500040	Snap ring	R40	1
4-35	6102040000	Washer		1
4-36	0027100008	Spring washer	M8	1
4-37	0010100816	Bolt	M8×16	1
4-38	00MB1615DU	DU bush	MB1615DU	2
4-39	0036800012	Snap ring	E12	1
4-40	6062105000	Spring		1
4-41	7252221000	Eye bolt		1
4-42	0020100008	Nut	M8	1
4-43	0027100008	Spring washer	M8	1
4-44	0026100008	Plain washer	M8	2
4-45	0020100008	Nut	M8	1
4-46	71205360200	Wire rotary		1
4-47	4642100010	Spring		1
4-48	0026100010	Plain Washer	M10	2

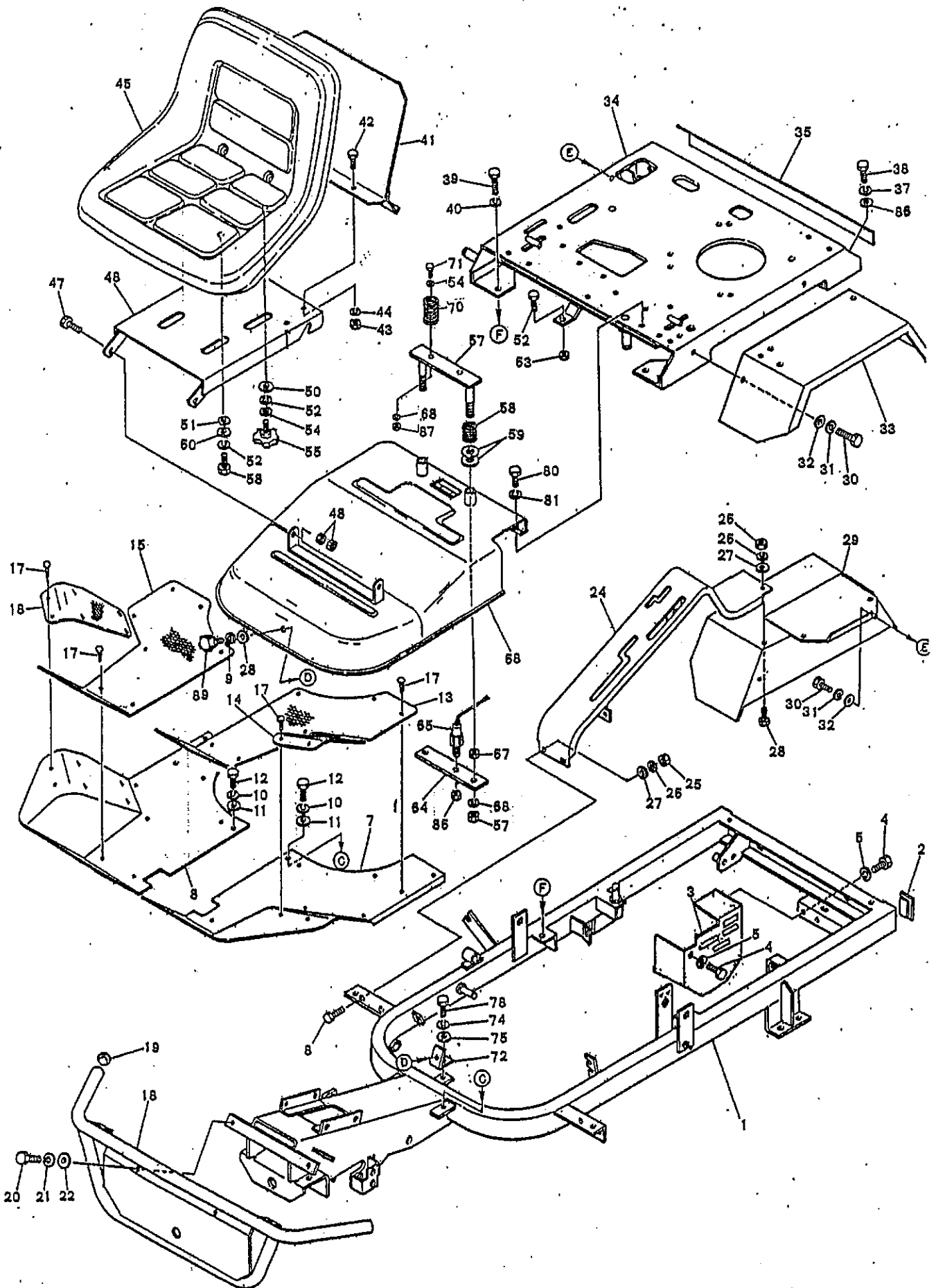
SRM850VH 5 HST, Control System



Item No	Parts number	Parts name	Remarks	Q'ty
5-1	71256022200	Lever brake		1
5-2	71406021100	Spring		1
5-3	0026100008	Plain washer	M8	1
5-4	0027100008	Spring washer	M8	1
5-5	0020100008	Nut	M8	1
5-6	0036800012	Nut	E12	2
5-7	71256022100	Spring washer		1
5-8	71256022000	Pin pedal		1
5-9	71206360000	Rubber pedal		2
5-10	71256021900	Rod		1
5-11	0031199010	Pin with stopper	ϕ 10	2
5-12	0026100010	Plain washer	M10	2
5-13	0100000015	Bolt	M8 \times 25	1
5-14	0020100008	Nut	M8	1
5-15	71256022300	Pedal		1
5-16	71256021800	Pin		1
5-17	0036800012	Snap ring	E12	2
5-18	71256021700	Link		1
5-19	6066080000	Pin	ϕ 6 \times 19(15)	1
5-20	0026100006	Plain Washer	M6	1
5-21	0031199006	Pin with stopper	ϕ 6用	1
5-22	71206320500	Rod		1
5-23	0200000021	Nut	M8L	1
5-24	6066530100	Turn buckle		1
5-25	0020100008	Nut	M8	1
5-26	71256021600	Rod		1
5-27	0020100008	Nut	M8	2
5-28	0027100008	Spring washer	M8	1
5-29	6066080000	Pin	ϕ 6 \times 19(15)	1
5-30	0026100006	Plain washer	M6	1
5-31	0031199006	Pin with stopper	ϕ 6	1
5-32	71256021500	Arm brake		1
5-33	6066080000	Pin	ϕ 6 \times 19(15)	1
5-34	0031199006	Pin with stopper	ϕ 6	1
5-35	0010100816	Bolt	M8 \times 16	1
5-36	0027100008	Spring washer	M8	1
5-37	6102040000	Washer		1
5-38	71256021400	Spring		1
5-39	0026100006	Plain washer	M6	1
5-40	0031199006	Pin with stopper	ϕ 6	1
5-41	71256060100	Wire		1
5-42	6062105000	Spring		1
5-43	71256021000	Arm		1
5-44	0030300525	Spring pin	ϕ 5 \times 25	1
5-45	0030300325	Spring pin	ϕ 3 \times 25	1
5-46	0031199010	Pin with stopper	ϕ 10	1
5-47	71256022600	Rod		1
5-48	0031199010	Pin with Stopper	ϕ 10	1

Item No	Parts number	Parts name	Remarks	Q'ty
5-49	6066030010	Grip		1
5-50	71336020800	Lever sub change		1
5-51	0036800012	Snap ring	E12	1
5-52	80315260000	Grip		1
5-53				
5-54				
5-55				
5-56	0020100008	Nut	M8	1
5-57	0027100008	Spring washer	M8	1
5-58	0020100008	Nut	M8	1
5-59	7252221000	Eye bolt		1
5-60	4012100002	Spring		1
5-61	71256020300	Arm		2
5-62	0036800012	Snap ring	E12	1
5-63	0015100315	Screw	M3×15	2
5-64	70746060800	Shoe brake		1
5-65	0027100003	Spring washer	M3	1
5-66				
5-67	71206020900	Pulley friction		1
5-68	0030300332	Spring pin	φ 3×32	2
5-69	0030300532	Spring pin	φ 5×32	2
5-70	00MB1510DU	DU bush	MB1610DU	2
5-71	0020100008	Nut	M8	1
5-72	0026100008	Plain washer	M8	1
5-73	71336020200	Shaft HST lever		1
5-74	0014200830	Bolt	M8×30	1
5-75	71256020900	Spring		1
5-76	0020100008	Nut	M8	1
5-77	0027100008	Spring washer	M8	1
5-78	0265000012	Hard washer		1
5-79	71206020500	Lever HST		1
5-80	71206060000	Grip		1
5-81	0026100008	Plain washer	M8	1
5-82	0027100008	Spring washer	M8	1
5-83	0020100008	Nut	M8	1
5-84	7876410010	Link ball	BL8DL	1
5-85	0200000021	Nut	M8	1
5-86	71256020500	Rod		1
5-87	0020100008	Nut	M8	1
5-88	71256020400	Rod		1
5-89	0020100008	Nut	M8	1
5-90	7876410000	Link ball	BL8D	1
5-91	0020100008	Nut	M8	1
5-92	0027100008	Spring washer	M8	1
5-93	71256020300	Link		1
5-94	00MB1420DU	DU bush	MB1420DU	1
5-95	0036800012	Snap ring	E12	1
5-96	0020100008	Nut	M8	1

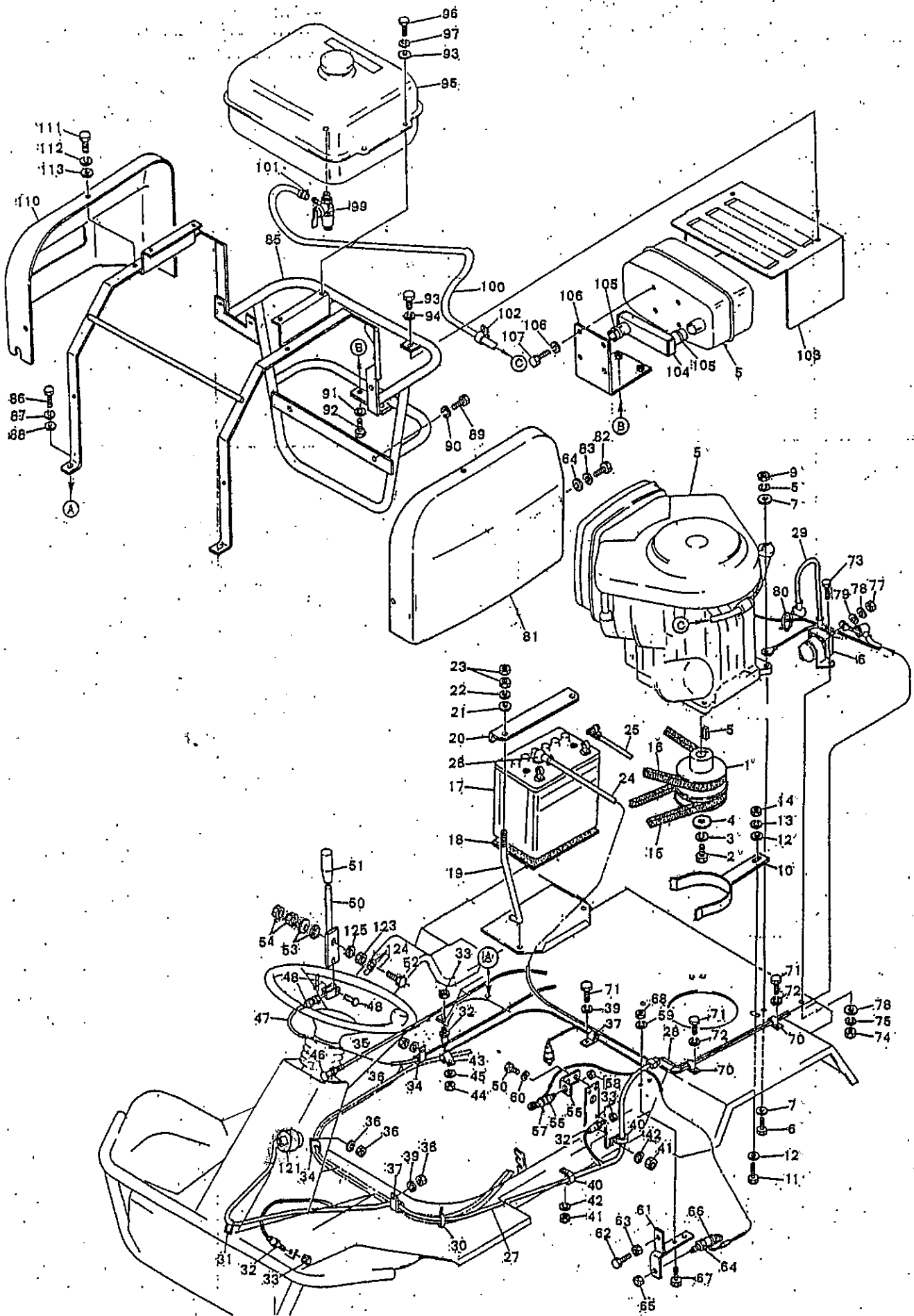
SRM850VH 6 Frame, Seat, Cover System



SRM850VH 6 Frame, Seat, Cover System

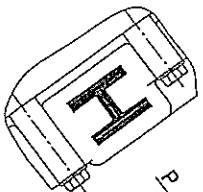
Item No	Parts number	Parts name	Remarks	Q'ty
6-1	71251020400	Frame		1
6-2	7396207000	Rubber Cap		2
6-3	71251120600	Fan cover		1
6-4	0010100816	Bolt	M8×16	3
6-5	0027100008	Spring washer	M8	3
6-6	0010100820	Spring washer	M8×20	2
6-7	71331120300	Fender FL		1
6-8	71331120200	Fender FR		1
6-9	0027100008	Spring washer	M8	1
6-10	0027100008	Spring washer	M8	8
6-11	0026100008	Plain washer	M8	8
6-12	0010100816	Bolt	M8×16	8
6-13	71251160200	Rubber mat Li		1
6-14	71251160400	Rubber mat Lu		1
6-15	71251160100	Rubber mat Ri		1
6-16	71251160300	Rubber mat Ru		1
6-17	71251160500	Clip	Nifco 259	30
6-18	71331120400	Ban per		1
6-19	71251160600	Cup	M1SG-018B	2
6-20	0010100816	Bolt	M8×16	2
6-21	0027100008	Spring washer	M8	2
6-22	0026100008	Plain washer	M8	2
6-23	0026100008	Plain washer	M8	2
6-24	71251120700	Cover side RH		1
2-25	0020100008	Nut	M8	4
6-26	0027100008	Spring washer	M8	4
6-27	0026100008	Plain washer	M8	4
6-28	0010100816	Bolt	M8×16	2
6-29	71331120600	Fender RR		1
6-30	0010100816	Bolt	M8×16	4
6-31	0027100008	Spring washer	M8	4
3-32	0026100008	Plain washer	M8	4
6-33	71221121200	Fender RL		1
6-34	71252221200	Base engine		1
6-35	71201120700	Cover rear		1
6-36	0010100816	Bolt	M8×16	2
6-37	0027100008	Spring washer	M8	2
6-38	0026100008	Plain washer	M8	2
6-39	0010101025	Bolt	M10×25	4
6-40	0027100010	Spring washer	M10	4
6-41	71221820200	Baffle plate		1
6-42	0010100816	Bolt	M8×16	2
6-43	0020100008	Nut	M8	2
6-44	0027100008	Spring washer	M8	2
6-45	40701860600	Seat	K-4	1
6-46	71221S20500	Stay seat		1
6-47	0010101030	Bolt	M10×30	2
6-48	0020100010	Nut	M10	4

SRM850VH 8 Engine(B&S 16ps) System

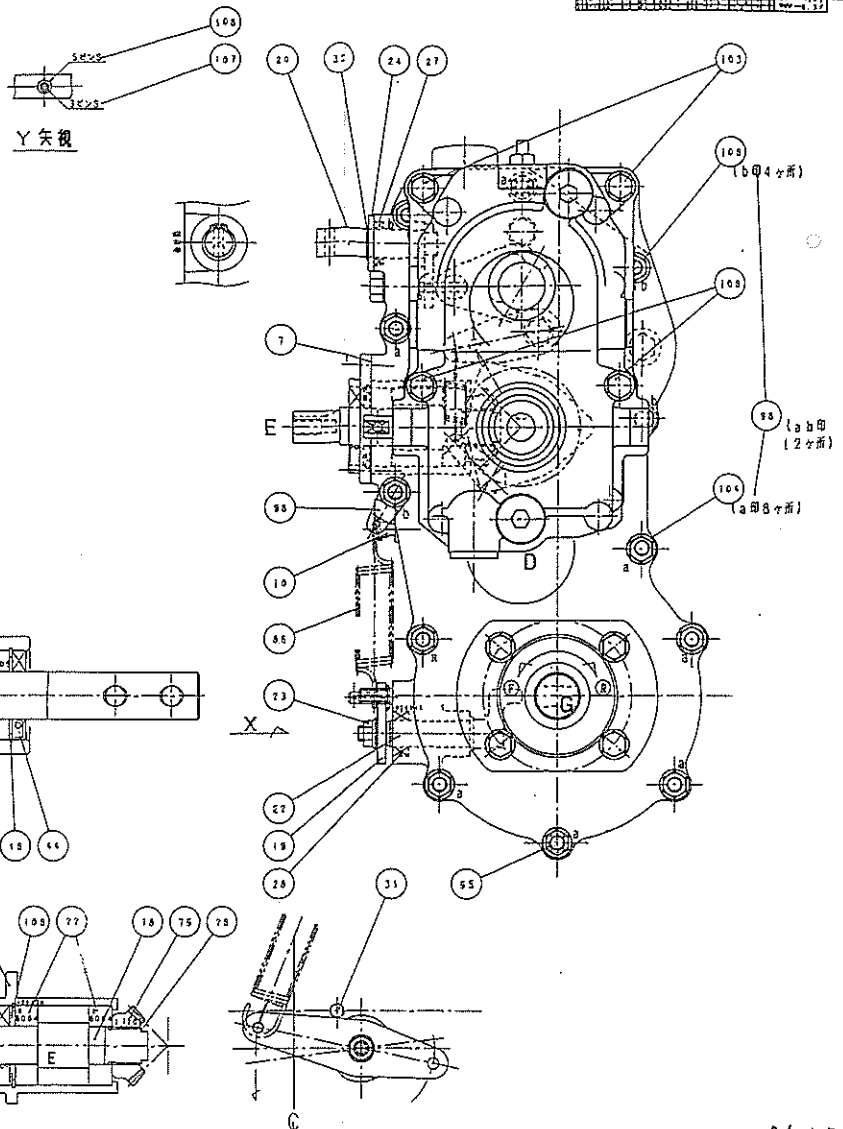
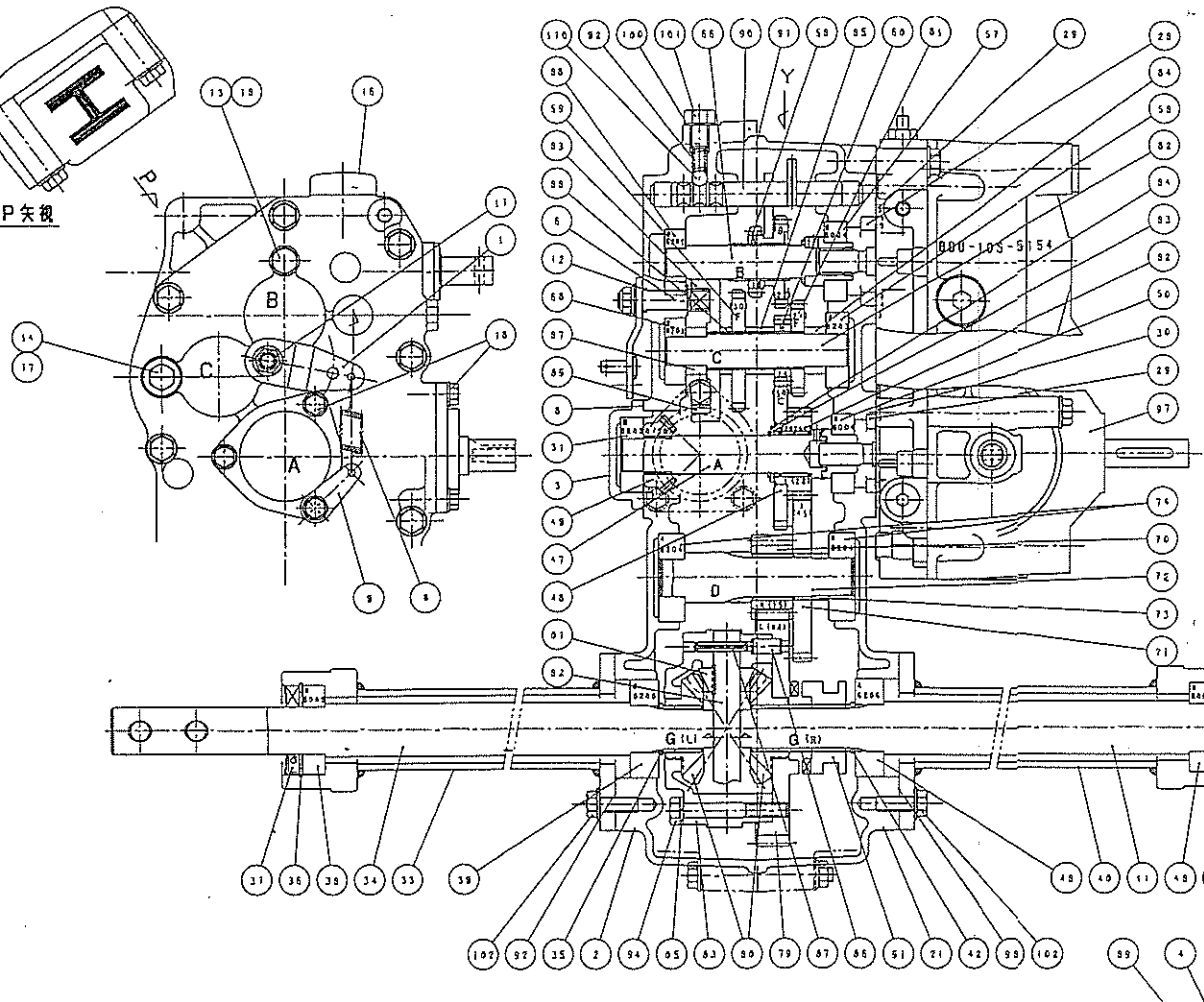


Item No	Parts number	Parts name	Remarks	Q'ty
8-1	71252220600	Pulley (Engine)		1
8-2	0150716030	Bolt	7/16-20UN	1
8-3	0027171620	Spring washer	7/16-20UNF	1
8-4	6060201000	Washer		1
8-5	71252260400	Engine	303777	1
8-6	0010100840	Bolt	M8×40	4
8-7	0026100008	Plain washer	M8	8
8-8	0027100008	Spring washer	M8	4
8-9	0020100008	Nut	M8	4
8-10	71252220300	Stopper engine		1
8-11	0100000016	Bolt	M8×30	1
8-12	0026100006	Plain washer	M8	2
8-13	0027100008	Spring washer	M8	1
8-14	0020100008	Nut	M8	1
8-15	0080320076D	V belt	SB76 b	1
8-16	0080320034	V belt	LB34 c	1
8-17	71228160400	Battery	GS 30A19R	1
8-18	71208163400	Rubber mat battery		1
8-19	71208020100	Bolt battery		2
8-20	71211120300	Stay battery		1
8-21	0026100006	Plain washer	M6	2
8-22	0027100006	Spring washer	M6	2
8-23	0020100006	Nut	M6	4
8-24	71208165200	Battery cable +		1
8-25	71208163300	Battery cable +		1
8-26	71228160200	Rubber mat battery		1
8-27	71258060500	harness A		1
8-28	71258060200	harness B&S		1
8-29	71308165200	harness ST		1
8-30	80329060100	Tier	RS60S	1
8-31	ML40-0019	Tie	SG300	1
8-32	2385201260	Switch A	BL51A	3
8-33	0020400014	Nut	M14×P1.4	3
8-34	194-00012	U clip	φ 12	2
8-35	0020100006	Nut	M6	2
8-36	0027100006	Spring washer	M6	2
8-37	194-00022	U clip	φ 22	2
8-38	0020100006	Nut	M6	1
8-39	0027100006	Spring washer	M6	2
8-40	194-00015	U clip	φ 15	2
8-41	0020100006	Nut	M6	2
8-42	0027100006	Spring washer	M6	2
8-43	194-00008	U clip	φ 8	1
8-44	0020100006	Nut	M6	1
8-45	0027100006	Spring washer	M6	1
8-46	71302265201	Wiro ohoke		1
8-47	71302265100	Throttlo wire		1
8-48	6066080000	Pin	φ 6×19(15)	1

Item No	Parts number	Parts name	Remarks	Q'ty
8-49	0031199006	Pin with stopper	φ 6	1
8-50	71206020600	Throttle lever		1
8-51	80315260000	Grip	φ 8	1
8-52	0100000046	Bolt	M12×55	1
8-53	0265000012	Hard washer	M12	2
8-54	028-52212	Hard rock nut	M12	1
8-55	71306420100	Bracket switch		1
8-56	2385200730	Switch	BL49A	1
8-57	80329060000	Tie	RT60S L160	1
8-58	0020400014	Nut	M14×P1.4	1
8-59	0010100614	Bolt	M6×14	2
8-60	0027100006	Spring washer	M6	2
8-61	71206420300	Bracket switch		1
8-62	0100000015	Bolt	M8×25	1
8-63	0020100008	Nut	M8	1
8-64	23S5201260	Switch A	BL51A	1
8-65	0020400014	Nut	M14×P1.4	1
8-66	80329060000	Tie	RT60S L160	1
8-67	0010100820	Bolt	M8×20	2
8-68	0020100008	Nut	M8	2
8-69	0027100008	Spring washer	M8	2
8-70	194-00025	U clip	φ 25	2
8-71	0010100612	Bolt	M6×12	3
8-72	0027100006	Spring washer	M6	2
8-73	0010100616	Bolt	M6×16	2
8-74	0020100006	Nut	M6	2
8-75	0027100006	Spring washer	M6	2
8-76	0026100006	Plain washer	M6	2
8-77	0020100006	Nut	M6	2
8-78	0027100006	Spring washer	M6	2
8-79	0026100006	Plain washer	M6	2
8-80	80329060000	Tie	RT60S L160	1
8-81	71222264200	Cover engine		1
8-82	0010100816	Bolt	M8×16	3
8-83	0027100008	Spring washer	M8	3
8-84	7022200010	Washer		3
8-85	71252221100	Stay		1
8-86	0010100820	Bolt	M8×20	2
8-87	0027100008	Spring washer	M8	2
8-88	0026100008	Plain washer	M8	2
8-89	0010101025	Bolt	M10×25	2
8-90	0027100010	Spring washer	M10	2
8-91	0010101025	Bolt	M10×25	2
8-92	0027100010	Spring washer	M10	2
8-93	0010100816	Bolt	M8×16	2
8-94	0027100008	Spring washer	M8	2
8-95	71222260100	Fuel tank		1
8-96	0010100820	Bolt	M8×20	4



P 矢視



E 軸端部視

X 矢視

SRM 280V 用

FE 29 A B O 2 型は A A O 3 型に対して下記ギヤと識別スタンプが異なる。

ミッション型式	ギヤ J	ギヤ C (ccm)	P 矢視の H 字スタンプ
FE 29 A A O 3	ギヤ J 4 3	ギヤ 1 2 2	あり
FE 29 A B O 2	ギヤ J 4 6	ギヤ 1 1 9	なし

宮 01.6.14 坂

品名	仕様	数量	単位	納入予定日	備考
No. C279 第 3 頁					

SPARE PARTS LIST OF TRANSMISSION FE29 FOR SRM8

Item no.	Parts No.	Parts name
1	2340-407101	Lever BK comp.
2	2111-830909	Case L
3	2112-404002	Bearing cover
4	2112-612607	Jig case
5	2135-416406	Cam shaft
6	2152-405502	Return spring
7	2153-424500	PK Jig case
8	2153-424609	PK bearing cover
9	2156-400910	Spring hock
10	2150-413602	Air outlet
11	2101-413804	Rock nut 8
12	2104-402009	O ring P10A
13	2105-400103	Plug 8
14	2105-400806	Plug 14
15	2105-406721	Plug 21
16	2105-414708	Gasket 8
17	2105-414807	Gasket 14
18	0157-060150	Flange bolt
19	2340-408713	Defflock lever comp.
20	2340-435403	Jig CH comp.
21	2111-831005	Case R
22	2144-405305	shifter
23	2101-432506	Flange nut 8
24	2102-414800	Washer 15303
25	2103-436007	Spacer
26	2103-452401	Spacer
27	2104-400104	Oil seal 15244
28	2104-400401	Oil seal 14248
29	2104-429103	O ring G55
30	2104-433500	O ring G45
31	0177-080302	8 Stud
32	0600-015000	Stop ring 15
33	2310-470201	Shaft case L comp.
34	2133-690402	G Jig L
35	2152-403409	Stop ring 25
36	2101-409803	Stop ring 47
37	2104-408803	Oil seal 25477
38	0501-600500	Ball bearing
39	0501-620500	Ball bearing
40	2310-470300	Shaft case R comp.
41	2133-690501	G Jig R
42	2152-403409	Stop ring 25
43	2101-409803	Stop ring 47
44	2104-408803	Oil seal 25477
45	0501-600500	Ball bearing
46	0501-620500	Ball bearing
47	2330-347907	Jig A comp.
48	2330-347808	Gear Cl comp.
49	2120-413304	Spiral bevel 20R
50	0501-600400	Ball bearing

Item no.	Parts No.	Parts name
51	0501-620300	Ball bearing
52	0531-202417	Needle bearing
53	0600-020000	Stop ring 20
54	0702-202000	Washer
55	2330-346014	Jig B comp.
56	2122-465103	Gear AB16-22
57	0501-600400	Ball bearing
58	0501-620200	Ball bearing
59	2122-407505	Gear F30
60	2122-422210	Gear H16
61	2122-431809	Gear F24
62	2132-417901	Jig C
63	2135-416307	Drum BK
64	2103-401706	Collar 172511.5
65	2103-403700	Collar 202515
66	2103-425502	Collar 20256.5
67	2103-452500	Collar 152511
68	0501-620200	Ball bearing
69	0501-620300	Ball bearing
70	2122-404306	Gear K15
71	2122-465400	Gear J43
72	2132-404501	Jig D
73	2103-412102	Collar 20259
74	0501-620400	Ball bearing
75	2120-413205	Spiral bevel 20L
76	2133-448115	Bevel jig
77	0501-600400	Ball bearing
78	0600-015000	Stop ring 15
79	2129-405724	Gear L48
80	2120-401846	Bevel pinion
81	2120-401945	Differential side gear
82	2131-405004	Differential jig
83	2136-600303	Differential case
84	2101-414218	Bolt 8-57
85	0410-080000	Washer 8
86	0452-080160	Pin 8
87	0460-050280	Pin 5
88	2152-406103	Return spring
89	2330-405803	Shce BK comp.
90	2340-435315	Shifter jig comp.
91	2135-403237	Clutch
92	2152-403706	Spring hook
93	2153-410114	PK (shaft case)
94	2153-704804	PK case
95	2155-401709	Kneck pipe
96	2156-400909	Spring hook
97	2159-407619	HST 10S-5154
98	2101-432506	Flange nut 8
99	2104-433609	Oil seal 20428
100	2105-418508	Gasket 10

Item no.	Parts No.	Parts name
101	0134-100120	Bolt 10
102	0157-080200	Flange bolt 8
103	0157-080400	Flange bolt 8
104	0157-080700	Flange bolt 8
105	0157-081000	Flange bolt 8
106	0157-081100	Flange bolt 8
107	0460-030250	Pin 3
108	0460-050250	Pin 5
109	0610-042000	Stop ring 42H
110	0650-050160	Steel ball 5/16

SPARE PARTS LIST OF TRANSMISSION FE29 FOR SRM850VH

Page 1/3

Item no.	Parts Ne.	Parts name
1	2340-407101	Lever BK comp.
2	2111-830909	Case L
3	2112-404002	Bearing ccover
4	2112-612607	Jig case
5	2135-416406	Cam shaft
6	2152-405502	Return spring
7	2153-424500	PK Jig case
8	2153-424609	PK bearing ccover
9	2156-400910	Spring hock
10	2150-413602	Air outlet
11	2101-413804	Rock nut 8
12	2104-402009	O ring P10A
13	2105-400103	Plug 8
14	2105-400806	Plug 14
15	2105-406721	Plug 21
16	2105-414706	Gasket 8
17	2105-414607	Gasket 14
18	0157-060150	Flange bclt
19	2340-408713	Defflock lever comp.
20	2340-435403	Jig CH comp.
21	2111-831005	Case R
22	2144-405305	shifter
23	2101-432506	Flange nut 8
24	2102-414800	Washer 15303
25	2103-436007	Spacer
26	2103-452401	Spaoor
27	2104-400104	Oil seal 15244
28	2104-400401	Oil seal 14248
29	2104-429103	O ring G55
30	2104-433500	O ring G45
31	0177-080302	8 Stud
32	0600-015000	Stop ring 15
33	2310-470201	Shaft case L comp.
34	2133-690402	G Jig L
35	2152-403409	Stop ring 25
36	2101-409803	Stop ring 47
37	2104-408803	Oil seal 25477
38	0501-600500	Ball bearing
39	0501-620500	Ball bearing
40	2310-470300	Shaft case R comp.
41	2133-690501	G Jig R
42	2152-403409	Stop ring 25
43	2101-409803	Stop ring 47
44	2104-408803	Oil seal 25477
45	0501-600500	Ball bearing
46	0501-620500	Ball bearing
47	2330-347907	Jig A oomp.
48	2330-347806	Gear Cl comp.
49	2120-413304	Spiral bevel 20R
50	0501-600400	Ball bearing

Item no.	Parts No.	Parts name
51	0501-620300	Ball bearing
52	0531-202417	Needle bearing
53	0600-020000	Stop ring 20
54	0702-202000	Washer
55	2330-348014	Jig B ccmp.
56	2122-465103	Gear AB16-22
57	0501-600400	Ball bearing
58	0501-620200	Ball bearing
59	2122-407505	Gear F30
60	2122-422210	Gear H16
61	2122-431809	Gear F24
62	2132-417901	Jig C
63	2135-416307	Drum BK
64	2103-401706	Collar 172511.5
65	2103-403700	Collar 202515
66	2103-425502	Collar 20256.5
67	2103-452500	Collar 152511
68	0501-620200	Ball bearing
69	0501-620300	Ball bearing
70	2122-404306	Gear K15
71	2122-465400	Gear J43
72	2132-404501	Jig D
73	2103-412102	Collar 20259
74	0501-620400	Ball bearing
75	2120-413205	Spiral bevel 20L
76	2133-448115	Bevel jig
77	0501-600400	Ball bearing
78	0600-015000	Stop ring 15
79	2129-405724	Gear L48
80	2120-401846	Bevel pinion
81	2120-401945	Differential side gear
82	2131-405004	Differential jig
83	2136-600303	Differential case
84	2101-414218	Bolt 8-57
85	0410-080000	Washer 8
86	0452-080160	Pin 8
87	0460-050280	Pin 5
88	2152-406103	Return spring
89	2330-405803	Shoe BK ccmp.
90	2340-435315	Shiftar jig ccmp.
91	2135-403237	Clutch
92	2152-403706	Spring hook
93	2153-410114	PK (shaft case)
94	2153-704804	PK case
95	2155-401709	Knock pipe
96	2156-400909	Spring hook
97	2159-407619	HST 10S-5154
98	2101-432506	Flange nut 8
99	2104-433609	Oil seal 20428
100	2105-418508	Gasket 10

Item no.	Parts No.	Parts name
101	0134-100120	Bolt 10
102	0157-080200	Flange bolt 8
103	0157-080400	Flange bolt 8
104	0157-080700	Flange bolt 8
105	0157-081000	Flange bolt 8
106	0157-081100	Flange bolt 8
107	0460-030250	Pin 3
108	0460-050250	Pin 5
109	0610-042000	Stop ring 42H
110	0650-050160	Steel ball 5/16