

CRAWLER CARRIER

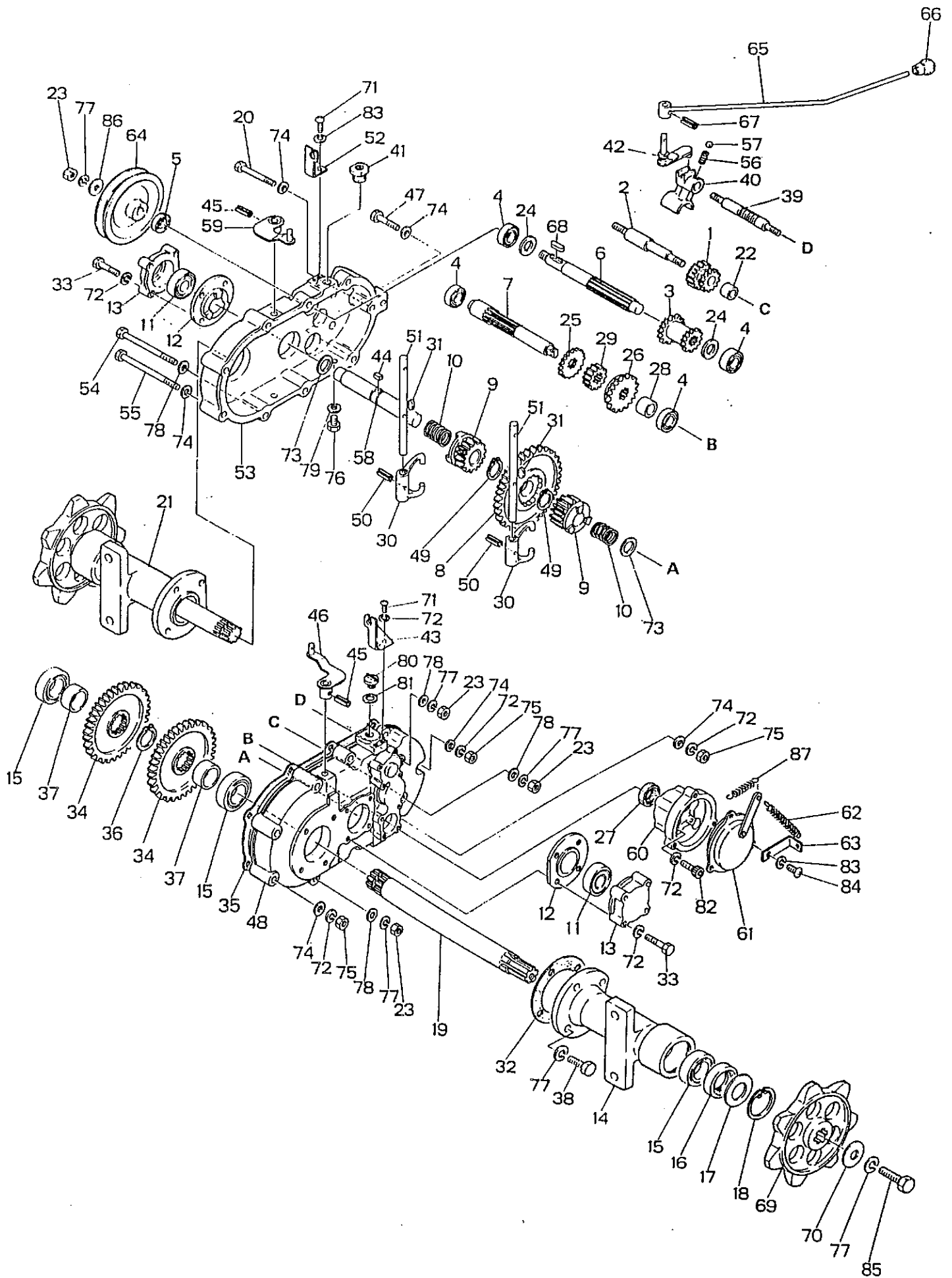
SC-2100

PARTS LIST

— C O N T E N T S —

1.	TRANSMISSION	2
2.	FRAME	6
3.	LOADING PALLET	10

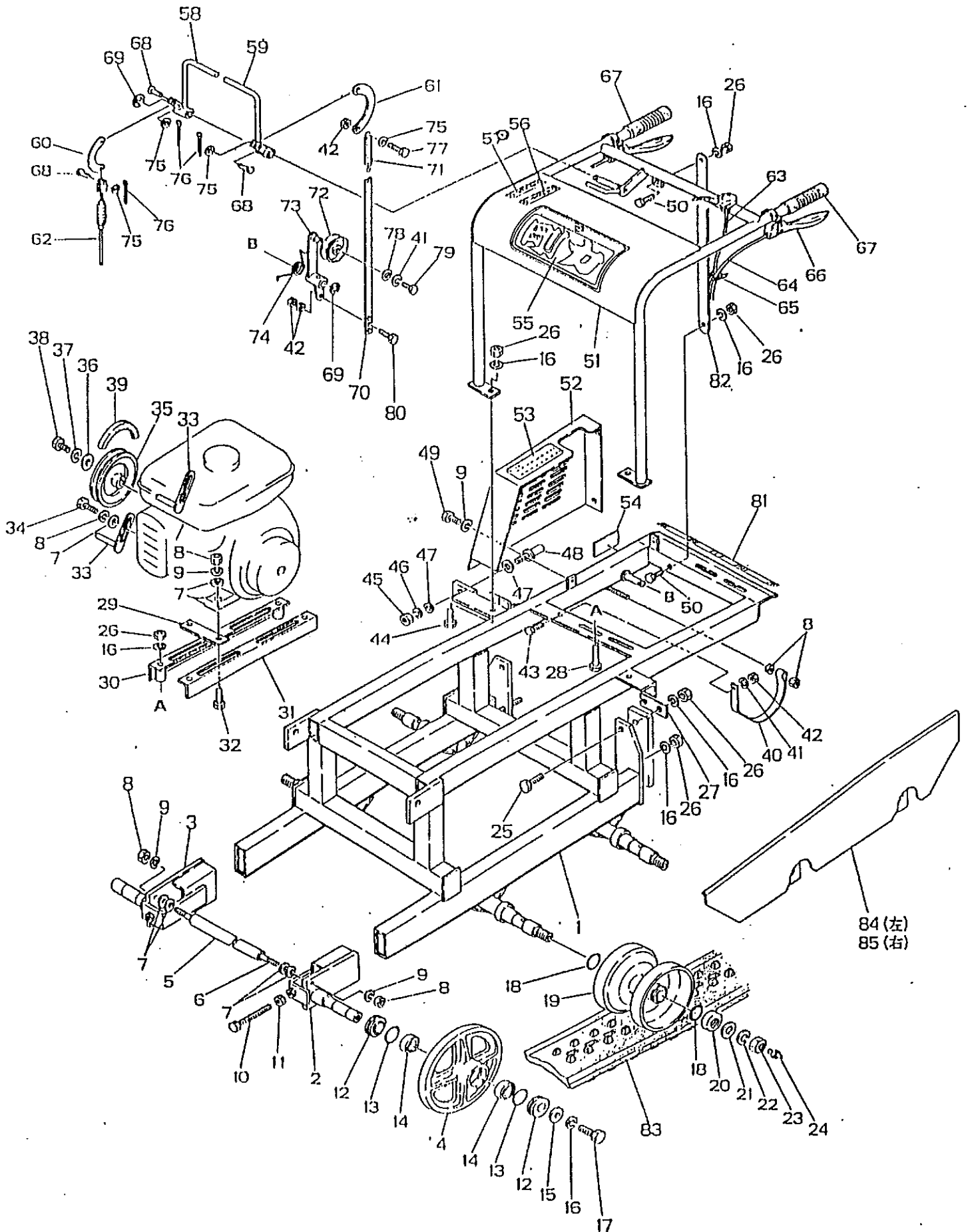
① TRANSMISSION



NO.	PARTS NOS.	PARTS NAMES	QTY	STANDARD	REMARKS
1-1	0116025641	Back Gear	1		
1-2	0116025571	Back Axle	1		
1-3	0116025601	Input Axle Gear	1		
1-4	0040106003	Ball Bearing	4	6003	
1-5	0600173008	Oil Seal	1	TC173008	
1-6	0116025534	Input Axle	1		
1-7	0116065200	Brake Axle	1		
1-8	0116025651	Clutch Gear	1		
1-9	0116025661	Side Clutch Gear	2		
1-10	0116010000	Clutch Spring	2		
1-11	0040106004	Ball Bearing	2	6004	
1-12	0116026005	Clutch Metal	2		
1-13	0116026040	Bearing Cover	2		
1-14	0116025213	Axle Case (L)	1		
1-15	0040106006	Ball Bearing	4	6006	
1-16	0600305512	Oil Seal	2	TC305512	
1-17	0116034000	Oil Seal Cover	2		
1-18	0036500055	Snap Ring	2	H-55	
1-19	0116025561	Axle	2		
1-20	0010100860	Bolt	3	M8 X60 ((半))	
1-21	0116025233	Axle Case (R)	1		
1-22	0116025180	Back	1		
1-23	0020100010	Nut	4	M10	
1-24	0116004000	Input Axle Collar	2		
1-25	0116025611	Top Gear 19T	1		
1-26	0116025631	Low Gear 26T	1		
1-27	0600173007	Oil Seal	1	TC173007	
1-28	0116025190	2nd Axle Collar	1		
1-29	0116025621	2nd Axle Gear	1		
1-30	0116026030	Gear Shifter B	2		
1-31	0300040409	Spill	2	4 X 4 X 9 (兩丸)	
1-32	0116024000	Axle Case Packing	2		
1-33	0100000016	Bolt	8	M8 X35	
1-34	0116025120	Axle Gear 47T	2		
1-35	0116024010	Transmission Case Packing	1		
1-36	0036100030	Snap Ring	2	S-30	
1-37	0116025170	Axle Collar	2		
1-38	0010101025	Bolt	8	M10 X25	
1-39	0116026070	Shifter Rod	1		

NO.	PARTS NOS.	PARTS NAMES	QTY	STANDARD	REMARKS
1-40	0116025201	Gear Shifter A	1		
1-41	0116025410	Shift Lever Guide	1		
1-42	0116025400	Shift Lever	1		
1-43	0116026111	Wire Stopper (L)	1		
1-44	0300050508	Spill	1	5×5×8 (両角)	
1-45	0030300422 0030302520	Spring Pin	各2	φ4×22. φ2.5×20	
1-46	0116033400	Clutch Lever (L)	1		
1-47	0100000017	Bolt	2	M8×35	
1-48	0116000000	Trnsmission Case (L)	1		
1-49	0036100020	Snap Ring	2	S-22	
1-50	0030300420	Snap Ring Pin	2	φ4×20	
1-51	0116026050	Clutch Rod	2		
1-52	0116026112	Wire Stopper (R)	1		
1-53	01160-0010	Transmission Case (R)	1		
1-54	01000-0062	Bolt	2	M10×120 (半)	
1-55	01000-0025	Bolt	2	M8×110 (半)	
1-56	0116010200	Gear Shifter Spring	1		
1-57	0048109998	Steel Ball	1	φ8球	
1-58	0116025551	Clutch Axle	1		
1-59	0116033410	Clutch Lever (R)	1		
1-60	0116026100	Brake Holder	1		
1-61	0116026110	Brake Shoe	1		
1-62	6062104020	Returning Spring	1		
1-63	6012263000	Spring Install Metal	1		
1-64	6012301000	Input Axle Pulley	1		
1-65	6012331000	Shift Change Lever	1		
1-66	6066030030	Grip	1	φ12用 黒	
1-67	0030300325 0030300525	Spring Pin	1	φ3×25, φ5×25	
1-68	0300000023	Spill	1	5×5×25 (両丸)	
1-69	6030020000	Sprocket	2		
1-70	6030201000	Round Washer	2		
1-71	0015100614	Pan Head Screw	4	M6×14	
1-72	0027100008	Spring Washer	16	M8	
1-73	0116004200	Collar	2		
1-74	0026100008	Flat Washer	12	M8	
1-75	0020100008	Nut	16	M8	
1-76	0116019200	Drain Plug	1	M10×12	
1-77	0026100010	Flat Washer	1	M10	
1-78	0020100008	Nut	8	M10	

② FRAME



NO.	PARTS NOS .	PARTS NAMES	QTY	STANDARD	REMARKS
2-1	6011180000	Chassis	1		
2-2	6011540010	Front Wheel Axle (L)	1		
2-3	6011540000	Front Wheel Axel (R)	1		
2-4	6011530000	Front Wheel	2		
2-5	6011040000	Collar	1		
2-6	6011160000	Shaft	1		
2-7	0026100008	Flat Washer	12	M8	
2-8	0020100008	Nut	9	M8	
2-9	0027100008	Spring Washer	8	M8	
2-10	0100000001	Bolt	2	M16×120(全) (S45C)	
2-11	0020100016	Nut	2	M16	
2-12	6011043000	Dust Protect Collar	4		
2-13	0052300450	O-Ring	4	G-45	
2-14	0040146005	Ball Bearing	4	6005 (2NS)	
2-15	6030201000	Washer	2		
2-16	0027100012	Spring Washer	2	M12	
2-17	0010111245	Bolt	2	M12×45 (半) (S45C)	
2-18	0052100360	O-Ring	8	P-36	
2-19	6011550000	Free Wheel	4		
2-20	6061591000	Free Wheel Dust Protect Cap	4		
2-21	0026100020	Flat Washer	4	M20	
2-22	0027100020	Spring Washer	4	M20	
2-23	0020200020	Nut	4	M20×P1.5	
2-24	0060660000	Grease Nipple	4	UNF 1/4 (28H)	
2-25	0010101245	Bolt	2	M12×45 (半)	
2-26	0020100012	Nut	4	M12	
2-27	6012261000	Wire Holding Metal	1		
2-28	0010101050	Bolt	4	M10×50 (半)	
2-29	6012720000	Holding Metal	2		
2-30	6012290000	Engine Base	1		
2-31	6012290000	Engine Base	1		
2-32	0100000020	Bolt	4	M8×50 (全)	
2-33	6152370000	Belt Holder	2		
2-34	0010100816	Bolt	2	M8×16	
2-35	6012302000	Engine Pulley	1		
2-36	6016201000	Washer	1		
2-37	0100000015	Bolt	1	M8×25	
2-38	0027100008	Spring Washer	1	M8	
2-39	0080300035	V-Belt	1	B-35	X 9350L
2-39	0080300032	V-Belt	1	B-32	X 9130LN

③ LOADING PALLET

